

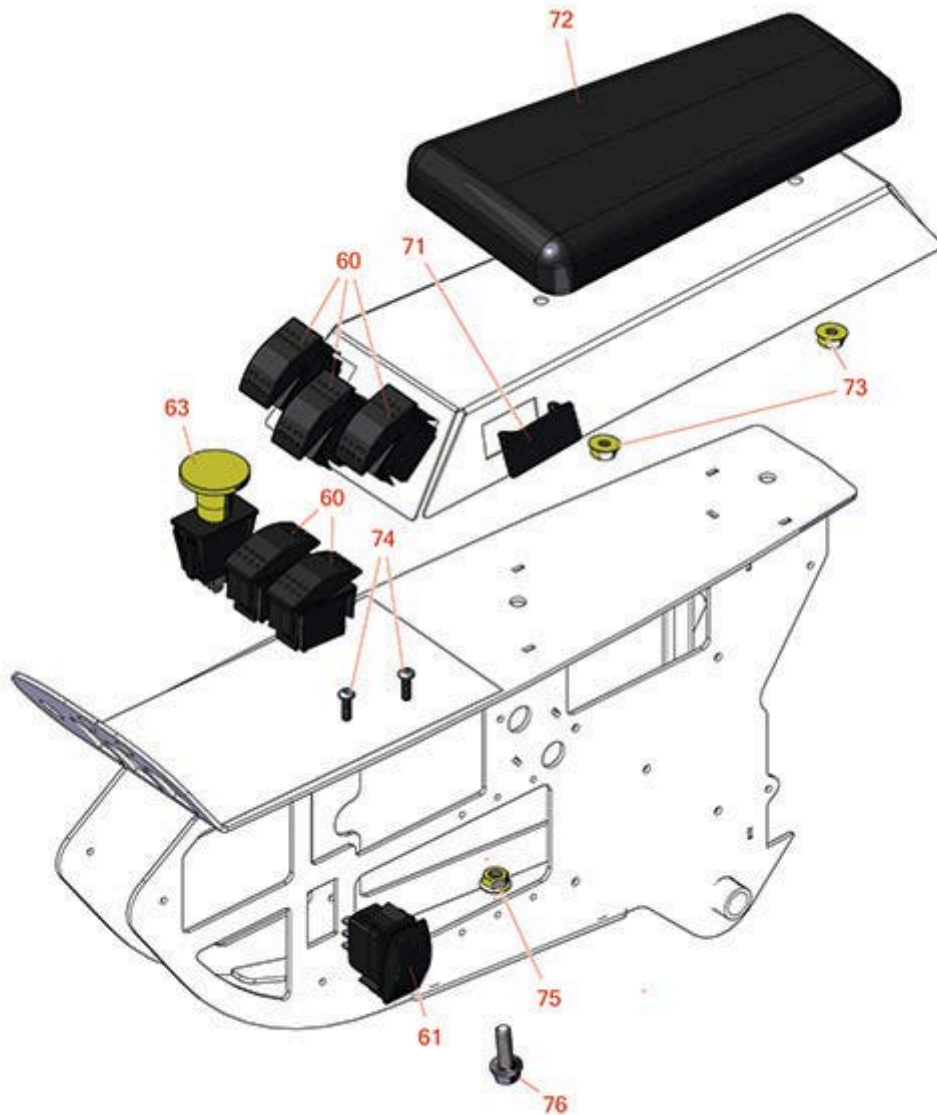


# Replaces Toro Groundsmaster 4700-D

## Parts

Traction Unit - Model 30882

Console & Control Arm



All original equipment manufacturers names and part numbers are used for identification purposes only, and we are in no way implying that our products are original equipment parts. Prices subject to change without notice.



# Replaces Toro Groundsmaster 4700-D Parts

*Traction Unit - Model 30882  
Console & Control Arm*



Item No	R&R Part No.	OEM Part No.	Description	Qty Req	Order Quantity
<b>Gauges and Controls</b>					
60	<b>R100-1535</b>	100-1535, 100-8492	Switch	5	
61	<b>R95-8999</b>	95-8999	Switch - Headlight	1	
63	<b>R93-9999</b>	93-9999	Switch - Pto	1	
<b>Other Parts Available</b>					
71	<b>R99-7420</b>	100-8493, 99-7420	Plug-Hole	2	
72	<b>R108-7602</b>	108-7602	Arm Rest	1	
73	<b>R104-8300</b>	104-8300, 104-8300, 119-4041	Locknut - 5/16-18 Flanged Y/Zinc	2	
74	<b>R3290-134</b>	3290-134	Screw - 10-24x5/8 Hh Ms	2	
75	<b>R104-8301</b>	104-8301, 104-9301, 109-6658, 133-7570	Locknut - 3/8-16 Nylon Flanged	2	
76	<b>R3234-42</b>	3234-42	Bolt - 3/8-16 x 1 Hx HD Fl	2	

All original equipment manufacturers names and part numbers are used for identification purposes only, and we are in no way implying that our products are original equipment parts. Prices subject to change without notice.