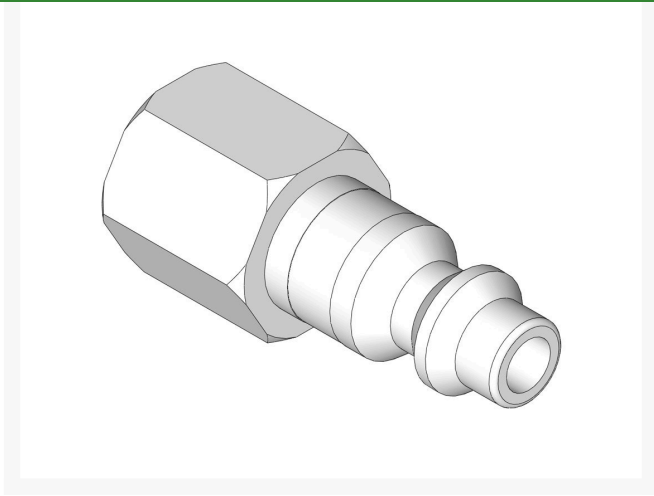




## Plug - Coupler 1/4 Nptf

R5560



### Details

Plated steel couplers with hardened steel balls & stainless steel springs or brass fittings that offer corrosion resistance, ductility at high temperatures, and low magnetic permeability. Maximum working pressure 300 PSI.

### Specifications

Manufacturer

R&R Products

**GERT KAUFMANN Golf Course Management**

Graf-Buttler-Strasse 7 Haimhausen, 85778

+498133907773

<https://golfkauf.rrproducts.com/>