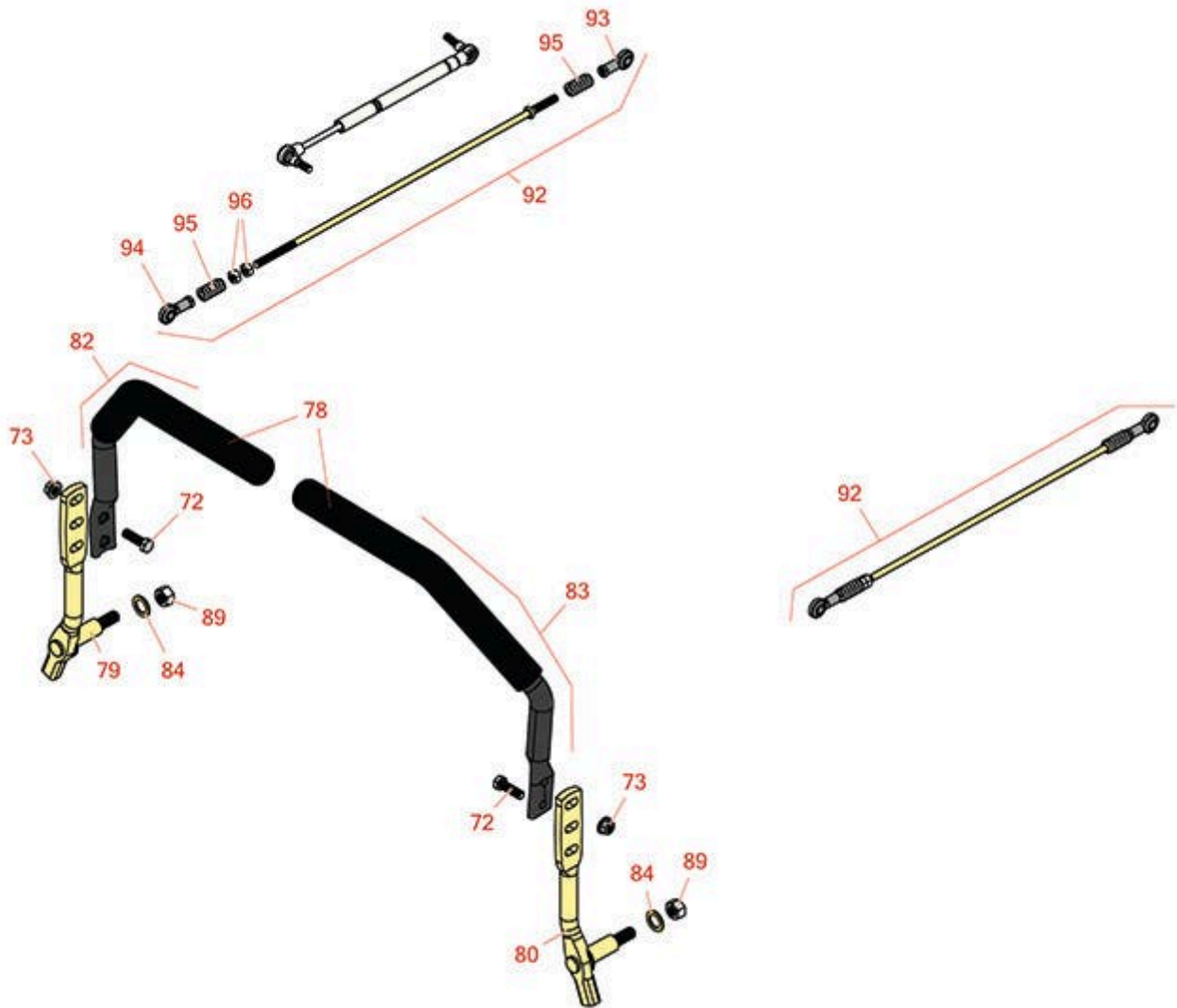




Replaces Toro Z Master Commercial 3000 Parts

Zero Turn Mower with 60in Deck - Model 74958
Controls



All original equipment manufacturers names and part numbers are used for identification purposes only, and we are in no way implying that our products are original equipment parts. Prices subject to change without notice.



Replaces Toro Z Master Commercial 3000 Parts

Zero Turn Mower with 60in Deck - Model 74958
Controls



Item No	R&R Part No.	OEM Part No.	Description	Qty Req	Order Quantity
72	R400264	01-150-0180, 01-178-0610, 20-48-AD, 20-48-AGD, 32-9160, 3224-3, 323-29, 323-7, 400264, 908035P	Bolt - Hex HD 3/8-16 x 1-1/4	4	
73	R104-8301	104-8301, 104-9301, 109-6658, 133-7570	Locknut - 3/8-16 Nylon Flanged	8	
78	R109-5668	109-5668	Grip - Control Lever - Foam	2	
79	R116-0039	116-0039	Lever - Motion Control - RH	1	
80	R116-0040	116-0040	Lever - Motion Control - LH	1	
82	R109-6589	109-6589	RH Steering Handle Assy	1	
83	R109-6590	109-6590	LH Steering Handle Assy	1	
84	R453017	01-166-0050, 01-166-0240, 01-166-0800, 24-13-AD, 24-14-AD, 32-8110, 3256-26, 3256-6, 453017, 69-8980, 87-7270	Washer - Flat 1/2	2	
89	R443818	01-191-0813, 3218-18, 3218-5, 3248-18	Nut - 1/2-13 Hex Jam Zinc	2	
92	R109-8106	109-8106	Linkage Assy - Front Pump	2	

All original equipment manufacturers names and part numbers are used for identification purposes only, and we are in no way implying that our products are original equipment parts. Prices subject to change without notice.



Replaces Toro Z Master Commercial 3000 Parts

Zero Turn Mower with 60in Deck - Model 74958
Controls



Item No	R&R Part No.	OEM Part No.	Description	Qty Req	Order Quantity
93	R1-633152	1-633152	Balljoint - LH	2	
94	R1-543017	1-543017	Balljoint - RH	2	
95	R1-323245	1-323245	Spring - Compression	4	
96	R3219-2	01-188-0524, 22-12-BJKD, 3219-2, 915720	Nut - 5/16-24 Zinc	4	

All original equipment manufacturers names and part numbers are used for identification purposes only, and we are in no way implying that our products are original equipment parts. Prices subject to change without notice.