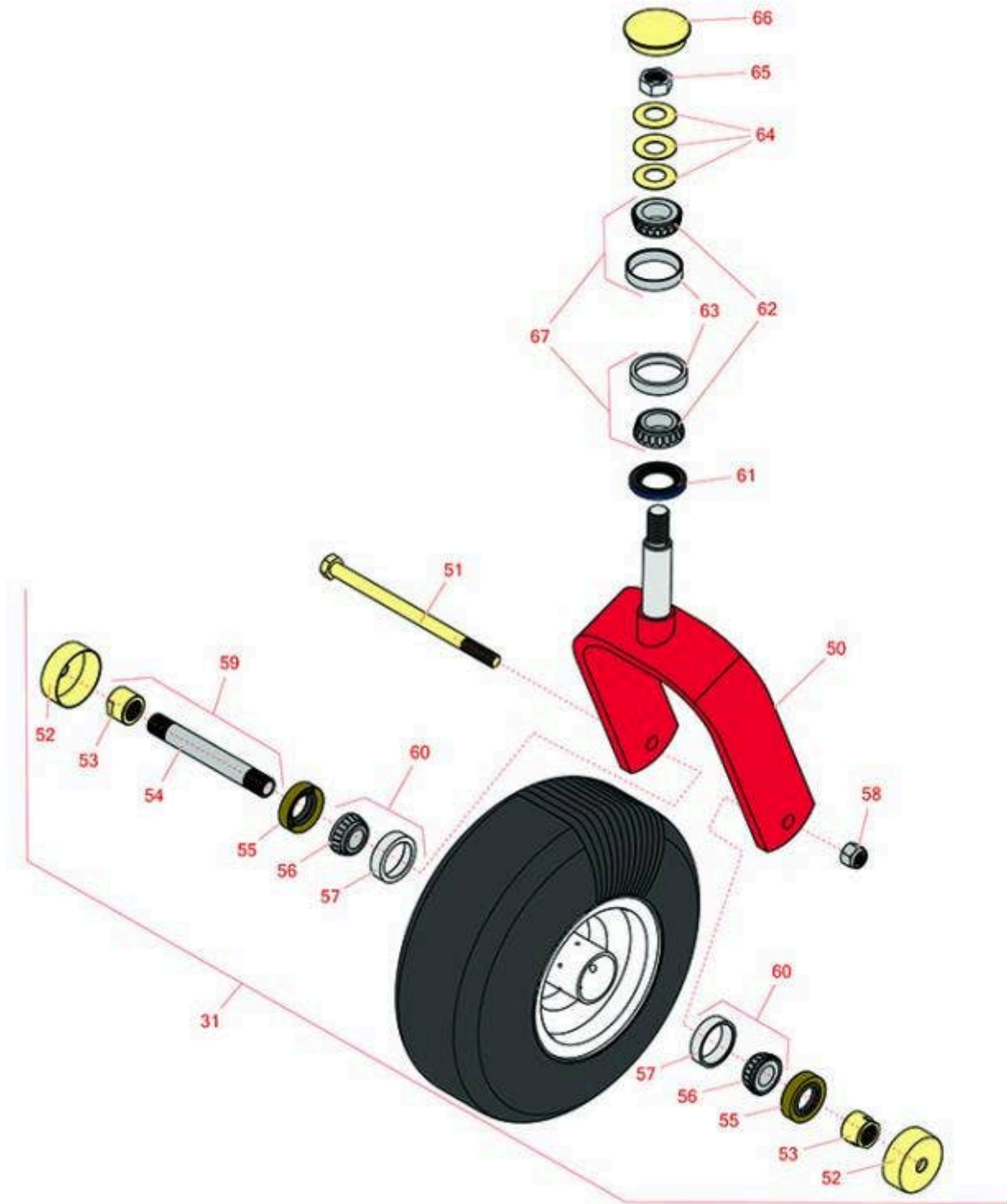




Replaces Exmark Lazer Z Propane Parts

Zero-Turn Mower with 52in Deck - Model LZS740PKC52400
Caster Wheel



All original equipment manufacturers names and part numbers are used for identification purposes only, and we are in no way implying that our products are original equipment parts. Prices subject to change without notice.



Replaces Exmark Lazer Z Propane Parts

Zero-Turn Mower with 52in Deck - Model LZS740PKC52400
Caster Wheel



Item No	R&R Part No.	OEM Part No.	Description	Qty Req	Order Quantity
Tires					
31	R109-9126	109-9126	Tire & Wheel - 13x5.00-6 - White	2	
31	R109-9127	109-9127	Tire & Wheel - 13x6.50-6 Flat Free	2	
Other parts Available					
50	R116-6703-01	116-6703-01	Caster Fork	2	
51	R325-42	325-42	Bolt - 1/2-13 x 8 Hex Head Gr 5	2	
52	R103-2768	103-2768	Guard - Seal	4	
53	R103-3051	103-3051	Spacer - Nut - Hardened	4	
54	R103-3155	103-3155	Axle - Caster	2	
55	R103-0063	103-0063	Seal - Grease	4	
56	R254-78	1-633585	Tapered Bearing Cone	4	
57	R254-79	1-633584, R & R ONLY	Cup - Bearing	4	
<i>Tech Note: Use R254-79M installation mandrel to properly install race.:</i>					
58	RF5003	3296-23	Locknut - ESNA 1/2-13	2	
59	R126-5360	126-5360	Axle- Caster w/Spacer Nut	2	
60	R500534	1-633585, R & R ONLY	Bearing - with Cup	4	
61	R116-5647	116-5647, R & R ONLY	Seal - Grease	2	
62	R254-94	1-543509	Tapered Bearing Cone	4	
63	R254-72	1-543508	Cup - Bearing	4	
64	R1-633508	1-633508	Washer - Spring Disc	6	

All original equipment manufacturers names and part numbers are used for identification purposes only, and we are in no way implying that our products are original equipment parts. Prices subject to change without notice.



Replaces Exmark Lazer Z Propane Parts

*Zero-Turn Mower with 52in Deck - Model LZS740PKC52400
Caster Wheel*



Item No	R&R Part No.	OEM Part No.	Description	Qty Req	Order Quantity
65	R3296-51	3296-51	Nut - Nylon Lock 3/4-10 Gr 8	2	
66	R103-4882	103-4882	Grease Cap - Castor	2	
67	R500596	R & R ONLY	Tapered Bearing Set - Cup and Cone	4	

All original equipment manufacturers names and part numbers are used for identification purposes only, and we are in no way implying that our products are original equipment parts. Prices subject to change without notice.