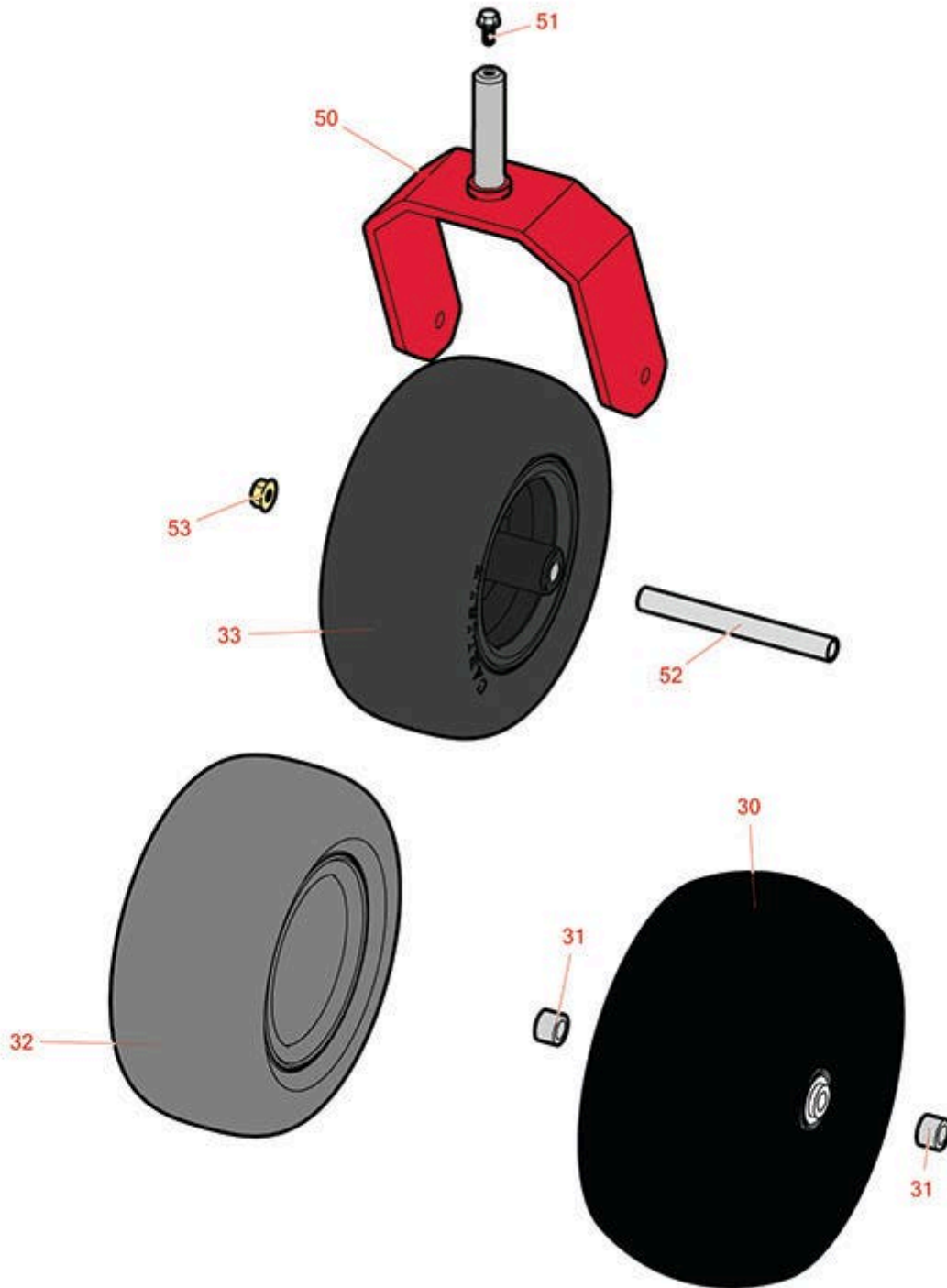




Replaces Exmark Radius E-Series Parts

52in Rotary Mower
Caster Wheel



All original equipment manufacturers names and part numbers are used for identification purposes only, and we are in no way implying that our products are original equipment parts. Prices subject to change without notice.



Replaces Exmark Radius E-Series Parts

52in Rotary Mower
Caster Wheel



Item No	R&R Part No.	OEM Part No.	Description	Qty Req	Order Quantity
---------	--------------	--------------	-------------	---------	----------------

Optional Michelin Tweel Tires

30	RTMT73818	109-9127, 117-0361, 126-3289, 126-4860	Michelin X Tweel Turf Caster Grooved - 13x6.5N6 (5/8in Mount) 290 lb Max Load	2	
----	------------------	---	---	---	--

Detail Description: Michelin X Tweel Turf casters replace the existing front casters on zero turn radius mowers, and completely eliminate the risk of flat tires. They have a consistent hub height which helps ensure the mower deck produces an even cut, while the poly-resin spokes help dampen the ride for enhanced operator comfort, even when navigating over curbs and other bumps. They are designed to provide a long wear life.:

30	RTMT41011	109-9127, 117-0361, 126-3289, 126-4860	Michelin X Tweel Turf Caster Smooth - 13x6.5N6 (5/8in Mount) 290 lb Max Load	2	
----	------------------	---	--	---	--

Detail Description: Michelin X Tweel Turf casters replace the existing front casters on zero turn radius mowers, and completely eliminate the risk of flat tires. They have a consistent hub height which helps ensure the mower deck produces an even cut, while the poly-resin spokes help dampen the ride for enhanced operator comfort, even when navigating over curbs and other bumps. They are designed to provide a long wear life.:

31	RTMT34193		Michelin Spacer - 5/8in ID x 5/8in OD	4	
----	------------------	--	---------------------------------------	---	--

Tires & Wheels

0	TIRES		Click Here to View Complete Tire Selection	0	
---	--------------	--	--	---	--

32	RCT5121861	1-523009, 125-5581, 126-5959	Tire - 13x6.50-6 Nhs (4 Ply) Carlisle Smooth	2	
----	-------------------	------------------------------------	--	---	--

33	R127-9528		Tire & Wheel - 13x6:50-6 Smooth Semi Pneumatic	1	
----	------------------	--	--	---	--

33	R127-9526		Tire & Wheel - 13x6.50-6	1	
----	------------------	--	--------------------------	---	--

33	R127-9540		Tire & Wheel - 13x6.50-6 Pneumatic	1	
----	------------------	--	------------------------------------	---	--

All original equipment manufacturers names and part numbers are used for identification purposes only, and we are in no way implying that our products are original equipment parts. Prices subject to change without notice.



Replaces Exmark Radius E-Series Parts

52in Rotary Mower
Caster Wheel



Item No	R&R Part No.	OEM Part No.	Description	Qty Req	Order Quantity
33	R117-0361	117-0361	Tire & Wheel - 13x6.50-6 Pneumatic	1	
33	R109-9127	109-9127	Tire & Wheel - 13x6.50-6 Flat Free	1	
33	RZSM422-0027-00		Tire & Wheel - 13x6.50-6 Carlisle Smooth	1	

Other Parts Available

50	R126-4312-01	126-4312-01	Fork - Caster	2	
51	R3234-5	3234-5	Bolt - 5/16-18x3/4 Hx Ser Was HD	2	
52	R127-0068	127-0068	Spanner Bushing - Castor Wheel	2	
53	R32128-23	32128-23, 99-5107	Nut - Lock Hex Flanged 1/2-13	2	

All original equipment manufacturers names and part numbers are used for identification purposes only, and we are in no way implying that our products are original equipment parts. Prices subject to change without notice.