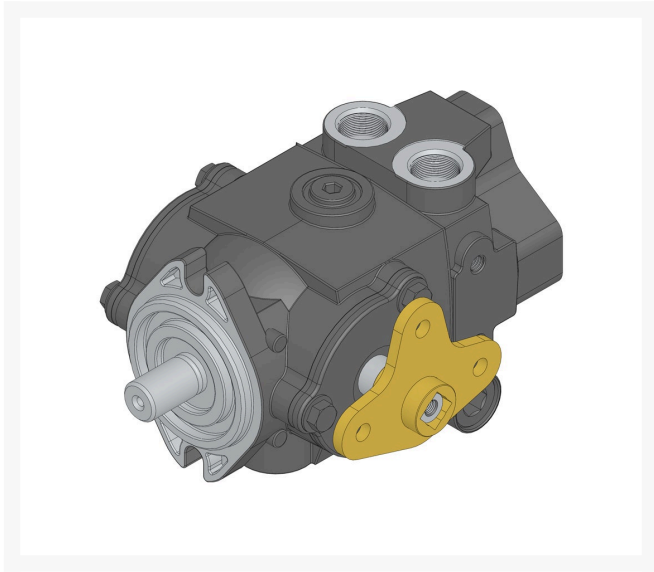




Hydrostat Assy

R105-0494



Replaces

R&R Products	R100-3174, R98-4609
Toro	100-3174, 105-0494, 98-4609

Specifications

Manufacturer	R&R Products
--------------	--------------

Fits Models

- R&R Products Greens Max 2200
- R&R Products Greens Max 2200D
- R&R Products Greens Max 2200LP
- Toro Greensmaster 3150-Q
- Toro Greensmaster 3200 & 3200-D
- Toro Greensmaster 3250-D

Replacement Parts

R151312	Hydrostat Assy
R151313	Bushing - Hydrostat
R300106	Screw - Set 5/16-18 x 1/4

GERT KAUFMANN Golf Course Management

Graf-Buttler-Strasse 7 Haimhausen, 85778
+498133907773

<https://golfkauf.rrproducts.com/>