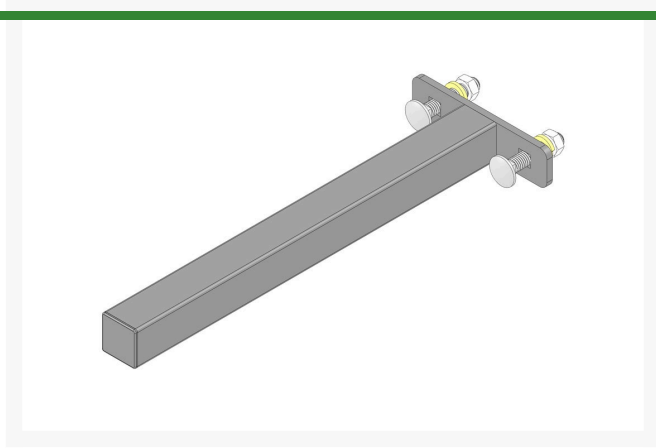




Arm - Cutting Unit Rack

R1050-1



Specifications

Manufacturer

R&R Products

Replacement Parts

R1050-5

Bolt - Carriage 1/2-13 x
2-1/2

R1051

Plug - Cutting Unit Rack

R443118

Nut - 1/2-13 Zinc

R446154

Washer - Lock 1/2

GERT KAUFMANN Golf Course Management

Graf-Buttler-Strasse 7 Haimhausen, 85778

+498133907773

<https://golfkauf.rrproducts.com/>