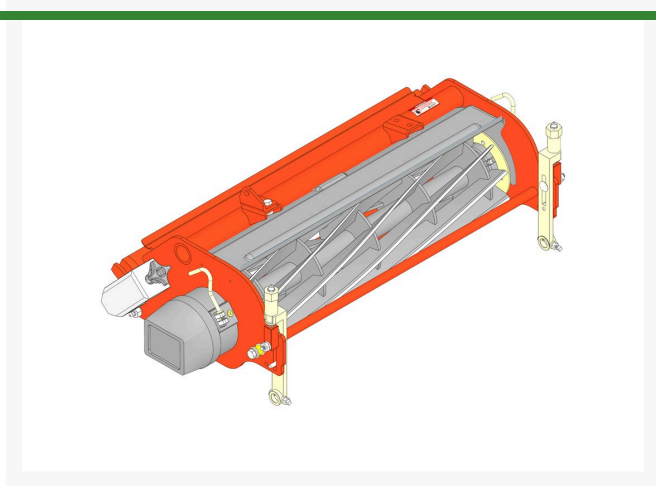




# Complete Standard Cutting Unit

R067848



## Specifications

Manufacturer

R&R Products