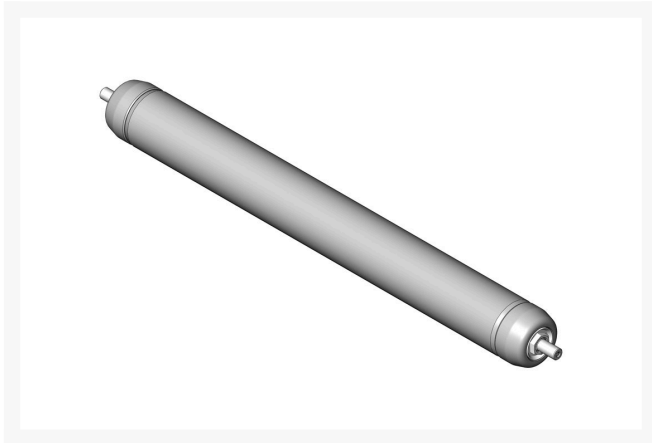




Roller - Smooth Rear Steel - Long - 27"

Units

R112-8915



Details

Constructed with a through shaft, this heavy-duty roller uses greasable ball bearings.

Replaces

Toro 112-8915

Specifications

Manufacturer	R&R Products
Overhaul Kit No.	R114-5430
Roller Body Diameter	3 in
Weight (lbs)	20 lb

Fits Models

Toro Reelmaster 3100-D
Toro Reelmaster 7000-D

Replacement Parts

R114-5430	Overhaul Kit - Roller
R112-8918	Shaft - Long - Rear
	Roller - 27" Units
R114-3717	Seal
R112-5290	Bearing - Stainless
R112-7494	Seal
R114-3745	Locknut - Bearing - Stainless
R302-5	Fitting - Grease

GERT KAUFMANN Golf Course Management

Graf-Buttler-Strasse 7 Haimhausen, 85778
+498133907773

<https://golfkauf.rrproducts.com/>