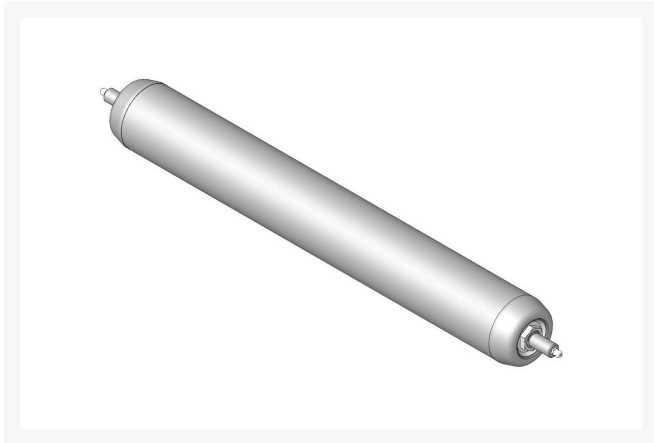




Roller - Smooth Tubular Steel

R114-5415



Details

Constructed with a through shaft, this heavy duty roller uses greasable stainless ball bearings. (2008 & Up)

Replaces

| | |
|--------------|----------|
| R&R Products | 114-5415 |
| Toro | 114-5415 |

Specifications

| | |
|----------------------|--------------|
| Manufacturer | R&R Products |
| Overhaul Kit No. | R114-5430 |
| Roller Body Diameter | 3 in |
| Weight (lbs) | 17.5 lb |

Fits Models

- R&R Products Reel Max 544D
- R&R Products Reel Max 744D
- Toro Reelmaster 3575-D
- Toro Reelmaster 5010-H
- Toro Reelmaster 5210-D
- Toro Reelmaster 5410-D
- Toro Reelmaster 5410G
- Toro Reelmaster 5510-D
- Toro Reelmaster 5510-G
- Toro Reelmaster 5610-D
- Toro Reelmaster 6500D
- Toro Reelmaster 6700D

Replacement Parts

| | |
|-----------|--------------------------|
| R114-5430 | Overhaul Kit - Roller |
| R114-5407 | Shaft - Long Rear Roller |

GERT KAUFMANN Golf Course Management

Graf-Buttler-Strasse 7 Haimhausen, 85778
+498133907773

<https://golfkauf.rrproducts.com/>



Roller - Smooth Tubular Steel

R114-5415



| | |
|-----------|----------------------------------|
| R114-3717 | Seal |
| R112-5290 | Bearing - Stainless |
| R112-7494 | Seal |
| R114-3745 | Locknut - Bearing - Stainless |
| R302-5 | Fitting - Grease |