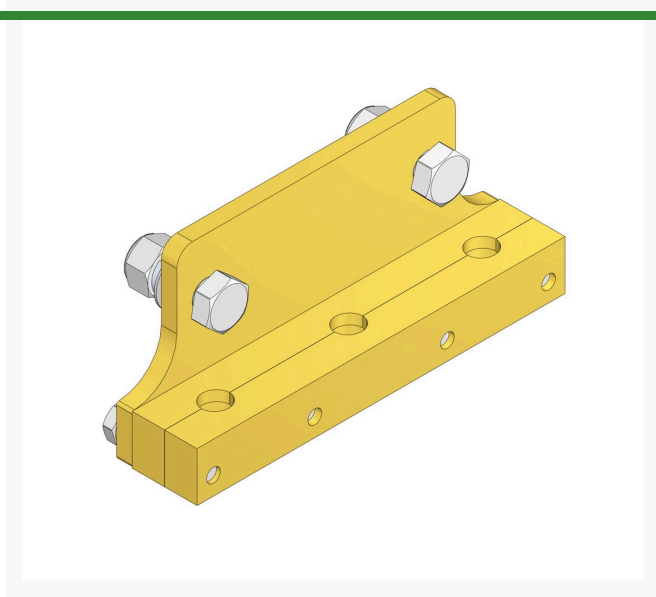




# Tine Holder - 3 Tine 3/4 Mt

R100-3695



### Replaces

Toro 100-3695

### Specifications

Manufacturer R&R Products

### Fits Models

Toro ProCore 440  
Toro ProCore 660  
Toro ProCore 880

### Replacement Parts

R33028-00	Locknut - 16mm x 2.0 ESNA
R33098-00	Flatwasher - 16mm
R33115-050	Bolt - Hex HD M10-1.5 x 50
R33118-045	Bolt - Hex HD M16-2.0 x 45
R48-9590	Washer - Lock 10mm

**GERT KAUFMANN Golf Course Management**

Graf-Buttler-Strasse 7 Haimhausen, 85778  
+498133907773

<https://golfkauf.rrproducts.com/>