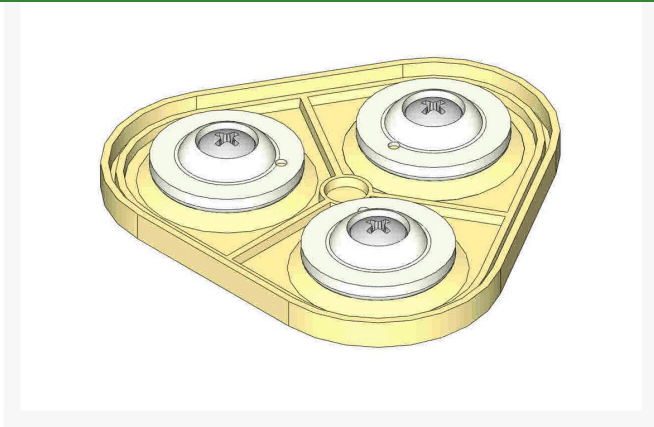




# Shurflo Pressure Switch Kit - Viton

RHY94-375-05



## Details

Standard pump 60 psi Demand Switch 1.8 GPM To  
Fit: RHY8000-543-236

## Specifications

Manufacturer

Pentair Shurflo

**GERT KAUFMANN Golf Course Management**

Graf-Buttler-Strasse 7 Haimhausen, 85778

+498133907773

<https://golfkauf.rrproducts.com/>