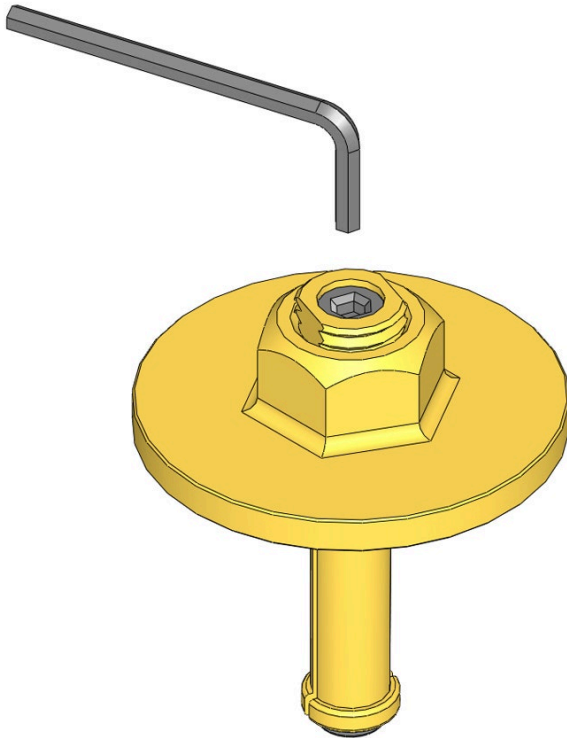




Ball Bearing Puller Assy

R256



Details

Designed to remove ball bearings from Toro style basket rollers.

Removes R251-141 Basket Roller bearings

- Puller fits R251-141 Basket Roller Bearings

Specifications

Manufacturer

R&R Products

Fits Models

Toro Greensmaster 3

Toro Greensmaster 300

Toro Greensmaster 3000

Replacement Parts

| | |
|----------|--------------------------------|
| R256-1 | Plate - Special Washer / Nut |
| R256-3 | Bolt - Shoulder |
| R256-4 | Mandrel - Spreader Hardened |
| R256-5 | Nut - Spreader Hardened |
| RP203-16 | Allen Wrench - 5/16 |

GERT KAUFMANN Golf Course Management

Graf-Buttler-Strasse 7 Haimhausen, 85778

+498133907773

<https://golfkauf.rrproducts.com/>