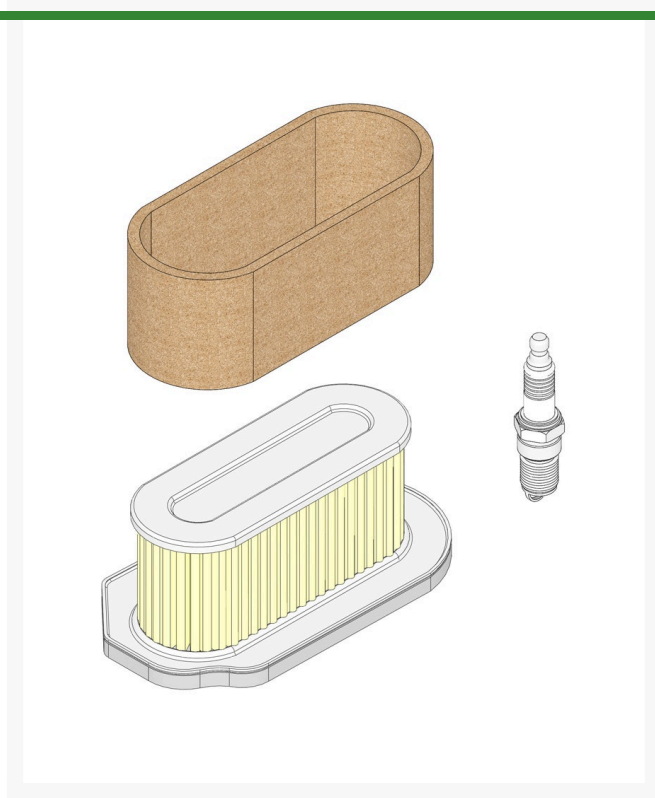




Filter Kit - 400 Hour Maintenance

R30065



Details

Includes: 1 ea: RAK11013-2132 Air Filter,
RAK11013-2133 Air Filter & RN7734 NGK Spark Plug

Specifications

Manufacturer

R&R Products