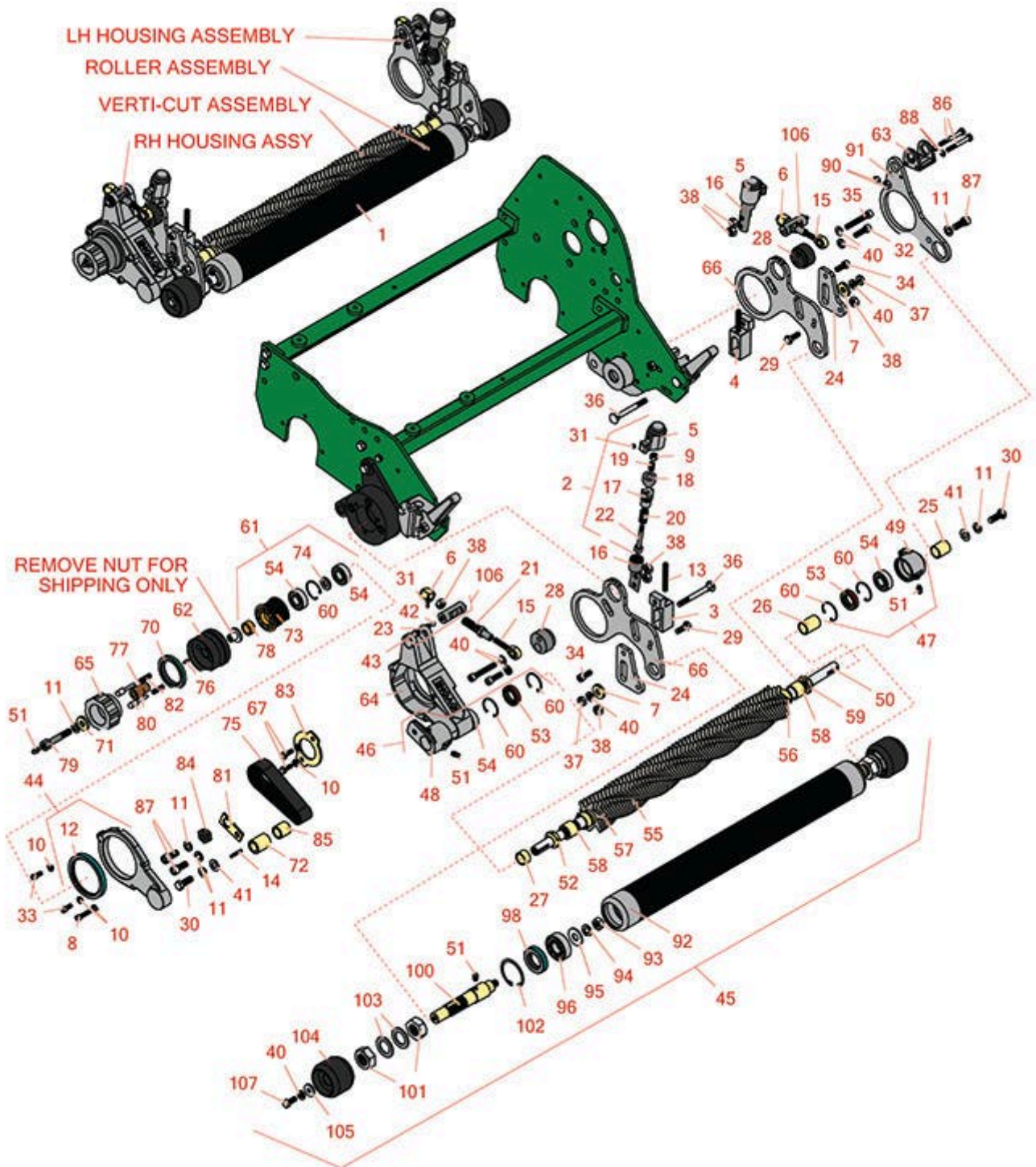




Replaces R&R Products Greens Max

4018 Parts

Cutting Unit
Groomer



All original equipment manufacturers names and part numbers are used for identification purposes only, and we are in no way implying that our products are original equipment parts. Prices subject to change without notice.



Replaces R&R Products Greens Max

4018 Parts

Cutting Unit
Groomer



Item No	R&R Part No.	OEM Part No.	Description	Qty Req	Order Quantity
Groomer Kits					
1	R101110	68624	Groomer Assy - Fits 18 in Units	0	
1	R101111	68624	Groomer Assy - Fits 22 in Units	0	
1	R101112	68624	Groomer Assy - Fits 26 in Units	0	
Other Parts Available					
2	R163761	163761	Knob - Quick Hgt Adj	2	
3	R164050	164050	Adjusting Block Assy - R.H.	1	
4	R164051	164051	Adjusting Block Assy - L.H.	1	
5	R271919	271919	Knob - Fits Groomer	2	
6	R3005108	3005108	Knob - Roller Adjusting	2	
7	R310103	310103	Spacer	2	
8	R316796	434029, R434029, RB147	Bolt - Allen HD 1/4-20 x 1	2	
9	R32152-4	444708, R444708	Locknut - 1/4-20 All Metal	2	
10	R3253-3	446130, R01-166-0070, R01-166-0410, R23-9-GD, R24-7150, R352-167, R446128, R446130	Washer - Lock 1/4	3	

All original equipment manufacturers names and part numbers are used for identification purposes only, and we are in no way implying that our products are original equipment parts. Prices subject to change without notice.



Replaces R&R Products Greens Max

4018 Parts

Cutting Unit
Groomer



Item No	R&R Part No.	OEM Part No.	Description	Qty Req	Order Quantity
11	R3254-6	446142, R01-166-0010, R01-166-0280, R01-166-0610, R12H304, R3253-5, R3254-18, R3290-223, R446140, R446142, R48-9370	Washer - Lock 3/8	2	
12	R338752	338752	Seal	1	
13	R343616	343616	Stud	2	
14	R345556	345556	Key - Sq 1/8 x 1	1	
15	R365247	365247	Rod End	2	
16	R365265	365265	Adj. Link - Fits Groomer	2	
17	R365266	365266	Bolt - Groomer Adjusting	2	
18	R365267	365267	Plunger - Fits Groomer	2	
19	R365268	365268	Spring - Stainless - Knob Assy	2	
20	R365269	365269	Spring - Stainless - Knob Assy	2	
21	R365270	365270	Bolt - Groomer Adjusting	2	
22	R365271	365271	Bolt	2	
23	R365291	365291	Spring - Fits Groomer Pin Assy	2	
24	R366658	366658	Link - Roller Adjusting	2	
25	R366660	366660	Spacer - .875 x .630 x 1	1	
26	R366661	366661	Spacer - .875 x .630 x 1.25	2	
27	R367165	367165	Spacer - .875 OD x .630 ID x .532	1	

All original equipment manufacturers names and part numbers are used for identification purposes only, and we are in no way implying that our products are original equipment parts. Prices subject to change without notice.



Replaces R&R Products Greens Max

4018 Parts

*Cutting Unit
Groomer*



Item No	R&R Part No.	OEM Part No.	Description	Qty Req	Order Quantity
28	R367166	367166	Cam - Fits Groomer Adj Assy	2	
29	R400186	400186	Bolt - Hex HD 5/16-18 x 7/8	2	
30	R400298	400298	Bolt - Hex HD 3/8-24 x 1	2	
31	R422502	422502	Set Screw - 1/4-20 x 1/4 Nyloc	4	
32	R434004	434004, R434003	Screw - Soc HD 5/16-18 x 1	2	
33	R434011	434011	Bolt - Soc HD Cap 1/4-20 x 5/8	1	
34	R434024	434024, R3274-12	Bolt - Soc HD Cap 5/16-18 x 3/4	2	
35	R434049	434049	Bolt - Soc HD Cap 5/16-18 x 2	2	
36	R441687	441687	Bolt - Carriage 5/16-18 x 3	1	
36	R441688	441688	Bolt - Carriage 5/16-18 x 3-1/2	1	
37	R443106	3218-2, 443106, R01-188-0518, R09003, R22-12-AJD, R32111-4, R3217-4, R3217-6, R513295, R513412, R915112P, R915978, R915979	Nut - 5/16-18 Y/Zinc Plated	2	
38	R444718	444718	Nut - 5/16-18 Center Lock YZ	6	

All original equipment manufacturers names and part numbers are used for identification purposes only, and we are in no way implying that our products are original equipment parts. Prices subject to change without notice.



Replaces R&R Products Greens Max

4018 Parts

Cutting Unit
Groomer



Item No	R&R Part No.	OEM Part No.	Description	Qty Req	Order Quantity
41	R453011	3256-24, 453011, R01-166-0100, R01-166-0120, R01-166-0270, R01-166-0500, R01-166-0600, R01-166-0620, R132-4593, R237-12, R24-10-AD, R24-11-AD, R24-11-BD, R24-12-AD, R24-12-BD, R30-9310, R32-8190, R3256-24, R3256-3, R3256-36, R3256-4, R47-9950	Washer - Flat 3/8 SAE Y/Zinc	2	
42	R465006	465006	Steel Ball - 5/16	2	
43	R471219	471219, R30-8360, R302-2, R302-24, R302-31, R471231, RJD7759, RJD7798	Zerk - Grease	2	
44	R132214	132214	Cover and Seal Assy	1	
45	R100117		Groomer Roller - 26 in	1	
<i>Tech Note: Note: 2 1/2 in Dia w/1/4 Spacing:</i>					
46	R132210	132210	Bearing Housing Assy	1	
47	R132211	132211	Bearing Housing Assy	1	
48	R241807	241807	Bearing Housing	1	

All original equipment manufacturers names and part numbers are used for identification purposes only, and we are in no way implying that our products are original equipment parts. Prices subject to change without notice.



Replaces R&R Products Greens Max

4018 Parts

Cutting Unit
Groomer



Item No	R&R Part No.	OEM Part No.	Description	Qty Req	Order Quantity
49	R241808	241808	Bearing Housing	1	
50	R3000782	3000782	Shaft - Fits 18 Groomer	1	
50	R390857	390857	Shaft - Fits 22 Groomer	1	
50	R3000781	3000781	Shaft - Fits 26 in Groomer	1	
51	R302-5	R173-0, R21-6010, R255825, R302-37, R302-47, R302-57, R302-58, R302-6, R31-0300, R32-9660, R471214, R471223, R471226, R60-0800, R62-3880, R92-4181, RJD7797, RJD7842, RJD7844, RM0004	Fitting - Grease	3	
52	R3296-15	367029, R1503473, R32118-5, R32127-23, R32127-47, R367029, R445748, RG-371, RN101345	Locknut - 3/4-16 Nylon Jam	1	
53	R336962	336962	Seal	2	
54	R365229	365229, R325229	Bearing	2	
55	R365230	365230	Verti-Cut Blade - 2-1/2 Dia.	0	

All original equipment manufacturers names and part numbers are used for identification purposes only, and we are in no way implying that our products are original equipment parts. Prices subject to change without notice.



Replaces R&R Products Greens Max

4018 Parts

Cutting Unit
Groomer



Item No	R&R Part No.	OEM Part No.	Description	Qty Req	Order Quantity
<i>Tech Note: Blade Requirements: 71 blades for 22" groomers, 58 Blades for 18" groomers and 49 blades for 26" groomers:</i>					
56	R365234	365234	Spacer - 1 1/16 x .467	2	
57	R365236	365236	Spacer - 1 1/16 x .247	70	
<i>Tech Note: Fits 22":</i>					
58	R367161	367161	Spacer - 1 OD x .75	2	
59	R3220-7	443832, R01-191-1216, R3-5103, R443832, RF7005	Nut - 3/4-16 Jam Zinc	1	
60	R458461	458461, R32151-34, R453461	Snap Ring	4	
61	R132212	132212	Pulley Assy - Incl Bearing	1	
62	R163776	163776	Pulley Assy - Incl Seal	1	
63	R2000088	2000088	Pivot Block - Fits Groomer	1	
64	R220316	220316	Belt Housing - Groomer	1	
65	R241817	241817	Knob - Clutch	1	
66	R3002692	3002692	Bracket - Roller Mounting	2	
67	R321-4	400108, R01-150-1030, R01-178-0406, R20-3-AGD, R3222-1, R400108	Bolt - Hex HD 1/4-20 x 3/4	2	
70	R338768	338768	Seal - Oil	1	
71	R363841	363841	Washer - Groomer Clutch	1	

All original equipment manufacturers names and part numbers are used for identification purposes only, and we are in no way implying that our products are original equipment parts. Prices subject to change without notice.



Replaces R&R Products Greens Max

4018 Parts

Cutting Unit
Groomer



Item No	R&R Part No.	OEM Part No.	Description	Qty Req	Order Quantity
72	R365227	365227	Pulley - 16 Grooved	1	
73	R365228	365228	Drive Pulley	1	
74	R365232	365232	Spacer - Drive Pulley	1	
75	R365235	365235	Belt - Timing Fits 2-1/2 Groomers	1	
76	R365239	365239	Key - 1/8 x 1/8 x 7/16	1	
77	R365254	365254	Shaft - Stub - Clutch	1	
78	R365256	365256	Spacer - Pulley .875 x .630 x .406	1	
79	R365257	365257	Bolt - Special Groomer Clutch	1	
80	R365258	365258	Pin - Clutch	2	
81	R365260	365260	Link - Belt Adjusting	1	
82	R365272	365272	Spring - Clutch	2	
83	R366659	366659	Clamp - Groomer	1	
84	R367162	367162	Belt Tensioner - Eccentric	1	
85	R367163	367163	Spacer - .875 x .630 x .880	1	
86	R400120	400120, R01-150-0990, R01-178-0416, R02-150-0990, R321-11, R3222-4, R513327, R908470	Bolt - Hex HD 1/4-20 x 2	2	
87	R434030	434030	Bolt - Soc HD Cap 3/8-16 x 7/8	3	
88	R447212	447212	Lockwasher - 1/4 Internal Tooth	2	
90	RP570-3	443802, R443802	Nut - 1/4-20 Hex Jam Zinc	2	

All original equipment manufacturers names and part numbers are used for identification purposes only, and we are in no way implying that our products are original equipment parts. Prices subject to change without notice.



Replaces R&R Products Greens Max

4018 Parts

Cutting Unit
Groomer



Item No	R&R Part No.	OEM Part No.	Description	Qty Req	Order Quantity
91	R340464	340464	Bracket - Fits Groomer Mounting	1	
92	R390899	390899	Roller Tube - Grooved 2.5 x 22 - 1/4 in Spacing	1	
<i>Tech Note: Note: W/ 1/4 Spacing:</i>					
92	R3000784	3000784	Roller Tube - Grooved 2.5 x 18	1	
<i>Tech Note: Note: W/ 1/4 Spacing:</i>					
92	R3000783	3000783	Roller Tube - Grooved 2.5 x 26	1	
<i>Tech Note: Note: W/ 1/4 Spacing:</i>					
93	R443816	443816	Nut - 7/16-20 Hex Jam	2	
94	R446146	446148, R446148	Lock Washer - 7/16	2	
95	R453013	452008, R01-166-0140, R01-166-0700, R3256-5, R452008, R80-4850	Washer - Flat 7/16	2	
96	R365330	365330	Bearing	2	
98	R338773	338773	Seal	2	
100	R338772	338772	Shaft - Roller - RH	1	
100	R340465	340465	Shaft - Roller - LH	1	
101	R264	443836, R443836	Nut - Jam Hardened 7/8-14	4	
102	R458113	458113	Ring - Snap Fits Groomer	2	
103	R365409	365409	Spacer - Wheel	4	
104	R365343	365343	Wheel - Anti Scalp	2	

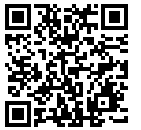
All original equipment manufacturers names and part numbers are used for identification purposes only, and we are in no way implying that our products are original equipment parts. Prices subject to change without notice.



Replaces R&R Products Greens Max

4018 Parts

*Cutting Unit
Groomer*



Item No	R&R Part No.	OEM Part No.	Description	Qty Req	Order Quantity
105	R364441	364441, R303873, R366641	Washer - Flat 5/16x7/8	2	
106	R446136	446136, R446134	Washer - Lock 5/16 Zinc	2	
107	R400184	400184	Screw - 5/16-18 x 3/4 Hex	2	
108	R3003401	3003401, R3003969	Pin - Fits Groomer	2	

All original equipment manufacturers names and part numbers are used for identification purposes only, and we are in no way implying that our products are original equipment parts. Prices subject to change without notice.