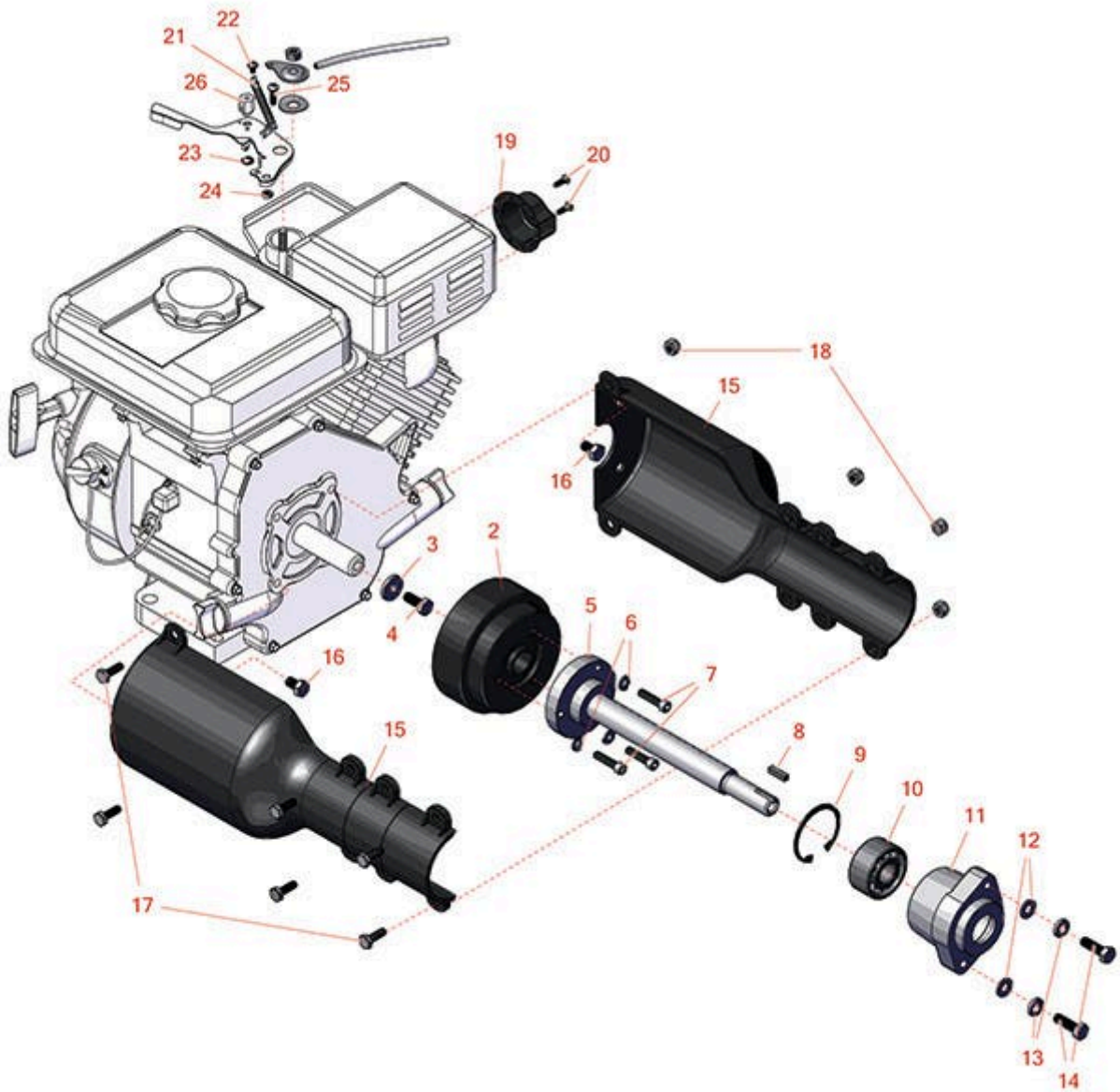
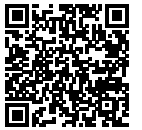




Replaces R&R Products Greens Max

4018 Parts

Traction Unit
Engine & Clutch



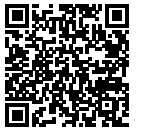
All original equipment manufacturers names and part numbers are used for identification purposes only, and we are in no way implying that our products are original equipment parts. Prices subject to change without notice.



Replaces R&R Products Greens Max

4018 Parts

Traction Unit
Engine & Clutch



Item No	R&R Part No.	OEM Part No.	Description	Qty Req	Order Quantity
---------	--------------	--------------	-------------	---------	----------------

Other Parts Available

2	R4135990		Torque Clutch	1	
3	R364441	364441, R303873, R366641	Washer - Flat 5/16x7/8	1	
4	R306369		Bolt - Hex HD 5/16-24 x 3/4 GR5	1	
5	R4136651		Shaft - Clutch Centrifugal Fits 18	1	
6	R3253-3	446130, R01-166-0070, R01-166-0410, R23-9-GD, R24-7150, R352-167, R446128, R446130	Washer - Lock 1/4	3	
7	R316796	434029, R434029, RB147	Bolt - Allen HD 1/4-20 x 1	3	
8	R367082		Key - 3/16 Sq. x 3/4	1	
9	R458113	458113	Ring - Snap Fits Groomer	1	
10	R4137243		Bearing	1	
11	R4137242		Bearing Housing - Clutch	1	

All original equipment manufacturers names and part numbers are used for identification purposes only, and we are in no way implying that our products are original equipment parts. Prices subject to change without notice.



Replaces R&R Products Greens Max

4018 Parts

Traction Unit
Engine & Clutch



Item No	R&R Part No.	OEM Part No.	Description	Qty Req	Order Quantity
12	R453009	3256-3, R01-166-0400, R24-10-BD, R24-9-AD, R24H1136, R32-9650, R3256-2, R3256-23, R3256-67, R3290-217, R3556-3, R4-2390, R452006, R7-0152	Washer - Flat 5/16 SAE	2	
13	R446136	446136, R446134	Washer - Lock 5/16 Zinc	2	
14	R322-5	322-5, R01-178-0508, R19H1905, R20-26-AD, R20-26-AGD, R30-9000, R400188, R513341, R519755, R908019P	Bolt - Hex HD 5/16-18 x 1	2	
15	R4148538	R4147698, R4148537	Cover - Clutch Half	2	
16	R400218		Bolt - Hex HD 5/16-24 x 1/2 GR5	2	
17	R321-4	400108, R01-150-1030, R01-178-0406, R20-3-AGD, R3222-1, R400108	Bolt - Hex HD 1/4-20 x 3/4	1	
18	R32152-4	444708, R444708	Locknut - 1/4-20 All Metal	1	
19	RHE18340-ZE1-010		Honda Deflector	1	

All original equipment manufacturers names and part numbers are used for identification purposes only, and we are in no way implying that our products are original equipment parts. Prices subject to change without notice.



Replaces R&R Products Greens Max

4018 Parts

*Traction Unit
Engine & Clutch*



Item No	R&R Part No.	OEM Part No.	Description	Qty Req	Order Quantity
20	R101571		Screw - #8 x 3/8 Php Sheet Metal	2	
21	R101569		Spring - Throttle Return	1	
22	R101566		Screw - Rnd HD Ph 8-32	1	
23	RE-25		E - Clip	1	
24	R444312	R22-9-BJD, R26-2360, R26-4370, R3219-12, R3219-14, R48-9280, R513287, R915561	Nut - 10-32	1	
25	R300104		Screw - Button HD Cap 10-32 x 5/8	1	
26	R101565		Nut - Lock - Throttle Cable	1	

All original equipment manufacturers names and part numbers are used for identification purposes only, and we are in no way implying that our products are original equipment parts. Prices subject to change without notice.