

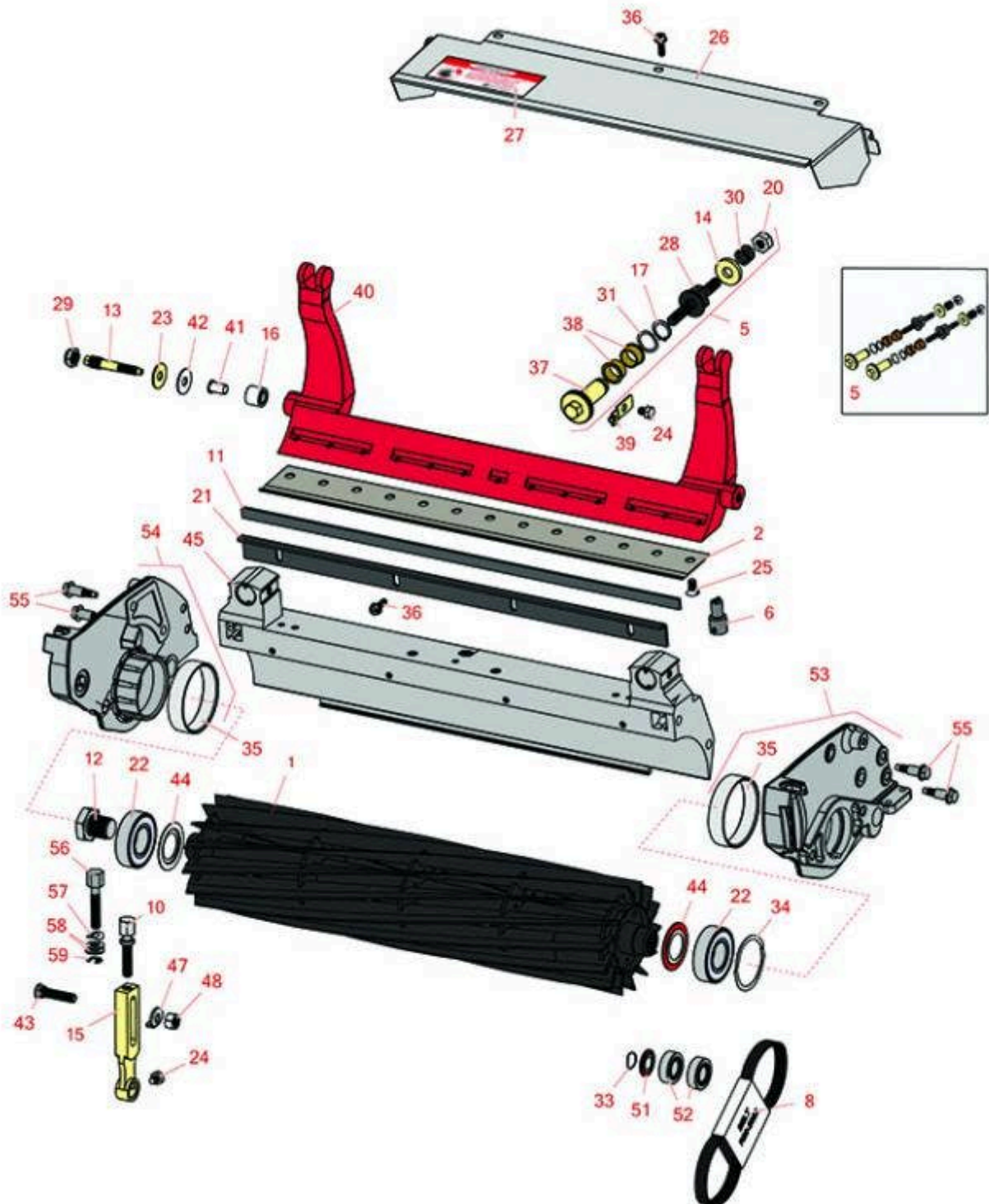


Replaces Toro Greensmaster Flex 2120

Parts

DPA Cutting Unit - Models 04290 & 04292

Reel & Bedknife

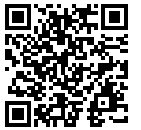


All original equipment manufacturers names and part numbers are used for identification purposes only, and we are in no way implying that our products are original equipment parts. Prices subject to change without notice.



Replaces Toro Greensmaster Flex 2120 Parts

DPA Cutting Unit - Models 04290 & 04292
Reel & Bedknife



Item No	R&R Part No.	OEM Part No.	Description	Qty Req	Order Quantity
Overhaul Kit					
5	R121-2637	121-2637	Overhaul Kit - DPA Adjusters	1	
R&R Reels, Lifetime Guaranteed					
1	R119-4103	119-4103	Reel - 8 Blade	1	
1	R127-2200	127-2200	Reel - 8 Blade Low Drag	1	
<i>Tech Note: Low Drag:</i>					
1	R132-7340	132-7340	Reel - 8 Blade Razor Series Low Drag	1	
<i>Tech Note: Uses special high alloy premium steel reel blades:</i>					
1	R137-8511	137-8511	Reel - 8 Blade Razor Series Low Drag w/Bearings and Seals 21	1	
<i>Tech Note: Uses special high alloy premium steel reel blades:</i>					
1	R119-4104	119-4104	Reel - 11 Blade	1	
1	R127-2201	127-2201	Reel - 11 Blade Low Drag	1	
<i>Tech Note: Low Drag:</i>					
1	R132-7341	132-7341	Reel - 11 Blade Razor Series Low Drag 21	1	
<i>Tech Note: Uses special high alloy premium steel reel blades:</i>					
1	R137-8512	137-8512	Reel - 11 Blade Razor Series Low Drag w/Bearings and Seals 21	1	
<i>Tech Note: Uses special high alloy premium steel reel blades:</i>					
1	R119-4105	119-4105	Reel - 14 Blade	1	
1	R127-2202	127-2202	Reel - 14 Blade Low Drag 21	1	
<i>Tech Note: Low Drag:</i>					
1	R132-7342	132-7342	Reel - 14 Blade Razor Series Low Drag 21	1	

All original equipment manufacturers names and part numbers are used for identification purposes only, and we are in no way implying that our products are original equipment parts. Prices subject to change without notice.



Replaces Toro Greensmaster Flex 2120 Parts

DPA Cutting Unit - Models 04290 & 04292
Reel & Bedknife



Item No	R&R Part No.	OEM Part No.	Description	Qty Req	Order Quantity
---------	--------------	--------------	-------------	---------	----------------

Tech Note: Uses special high alloy premium steel reel blades:

1	R137-8513	137-8513	Reel - 14 Blade Razor Series Low Drag w/Bearings and Seals 21	1	
---	------------------	----------	---	---	--

Tech Note: Uses special high alloy premium steel reel blades:

R&R Bedknives, Lifetime Guaranteed

2	R108-4302	108-4301, 108-4302	Bedknife - Tournament Cut Extended .125 - .500 HOC	1	
---	------------------	-----------------------	--	---	--

2	R108-4303	104-7720, 108-4303	Bedknife - Micro Cut Extended .062 - .187 HOC	1	
---	------------------	-----------------------	---	---	--

2	R93-4262	65-8250, 93-4262, 93-4263	Bedknife - Micro Cut .062 - .187 HOC	1	
---	-----------------	---------------------------------	--------------------------------------	---	--

2	R93-4264	57-4960, 63-8470, 93-4264	Bedknife - Low Cut .187 - 1.00 HOC	1	
---	-----------------	---------------------------------	------------------------------------	---	--

2	R94-6392	62-2500, 94-6392	Bedknife - High Cut .312 - 1.00 HOC	1	
---	-----------------	---------------------	-------------------------------------	---	--

2	R150466	63-8600, 64-6393, 94-6393	Bedknife - Super Thick .312 - 1.00 HOC	1	
---	----------------	---------------------------------	--	---	--

2	R93-4263	63-8560, 66-9320, 93-4263, 93-6039	Bedknife - Tournament Cut .125 - .500 HOC	1	
---	-----------------	---	---	---	--

R&R Razor Tool Steel Bedknives, Lifetime Guaranteed

2	R115-1881	115-1881	Bedknife - Razor Tool Steel - 21 Tournament Cut .125 - .500 HOC	1	
---	------------------	----------	---	---	--

Tech Note: Razor Tool Steel Bedknives are constructed from high grade tool steel for extended life and optimum cut.:

2	R115-1880	115-1880	Bedknife - Razor Tool Steel - 21 Micro Cut .062 - .187 HOC	1	
---	------------------	----------	--	---	--

All original equipment manufacturers names and part numbers are used for identification purposes only, and we are in no way implying that our products are original equipment parts. Prices subject to change without notice.



Replaces Toro Greensmaster Flex 2120 Parts

DPA Cutting Unit - Models 04290 & 04292
Reel & Bedknife



Item No	R&R Part No.	OEM Part No.	Description	Qty Req	Order Quantity
<i>Tech Note: Razor Tool Steel Bedknives are constructed from high grade tool steel for extended life and optimum cut.:</i>					
2	R150492	150492	Bedknife - Razor Tool Steel - 21 Micro Cut Ext	1	
<i>Tech Note: Razor Tool Steel Bedknives are constructed from high grade tool steel for extended life and optimum cut.:</i>					
2	R112-7475	112-7475	Bedknife - Razor Tool Steel - 22 x 3/8 Fairway	1	
<i>Tech Note: Razor Tool Steel Bedknives are constructed from high grade tool steel for extended life and optimum cut.:</i>					
Service Tools					
6	R51-0880	51-0880	Bedknife Screw Driver Tool	0	
Belts					
8	R99-2022	99-2022	Belt - Reel Drive	1	
Other Parts Available					
10	R110-7352	110-7352	Screw - HOC 2 5/8 Stainless	2	
11	R106-2619	106-2619	Seal - Strip	1	
12	R115-7263	115-7263	Bolt - Bearing Lock	1	
13	R117-9493	117-9493	Bolt - Bed Bar - Hardened	2	
14	R119-4155	119-4155	Washer - Hardened	2	
15	R115-7041	115-7041	Bracket - Front Roller 5 1/4 in	2	
16	R119-4153	119-4153	Bushing - Rubber	2	
17	R32120-93	32120-93	Snap Ring - HD	2	
20	R3296-48	119-4039, 32146-7, 3296-34, 3296-48	Locknut - 7/16-14 ESNA	2	

All original equipment manufacturers names and part numbers are used for identification purposes only, and we are in no way implying that our products are original equipment parts. Prices subject to change without notice.



Replaces Toro Greensmaster Flex 2120 Parts

*DPA Cutting Unit - Models 04290 & 04292
Reel & Bedknife*



Item No	R&R Part No.	OEM Part No.	Description	Qty Req	Order Quantity
21	R115-3303-03	115-3303-03	Bar - Cutoff	1	
22	R115-3296	115-3296	Bearing	2	
23	R52-2860	119-4150, 52-2860	Washer - Bed Bar Pivot	2	
24	R114-9396	114-9396, 119-4067	Bolt - Hex HD 5/16-18 x 3/8	2	
25	R119-4151	119-4151	Screw - Bedknife 5/16-18 x 17/32	13	
26	R120-9588	120-9588	Grass Shield Asm	1	
27	R354083	104-7729, 354083	Decal - Danger	1	
28	R115-7039	115-7039	Screw - Adjuster - Bedbar	2	
29	R3296-28	119-4154, 140-9234, 32127-34, 32128-7, 32128-8, 32136-7, 3296-28	Nut - 1/2-20 ESNA Jam	2	
30	R119-4156	119-4156	Spring - Compression	2	
31	R119-4164	119-4164	Washer - Wave	2	
33	R115-7143	115-7143	Spring - Wave	1	
34	R105-5700	105-5700, 115-5258	Wave Washer - Bearing	1	
35	R117-6619	117-6619	Bushing	2	
36	R119-4012	119-4012	Screw - Hx Washer HD Self Threading	7	
37	R106-5363	106-5363	Shaft - Adjusting - Bed Bar - Stainless	2	
38	R106-5344	106-5344	Bushing - Flanged and Keyed	4	

All original equipment manufacturers names and part numbers are used for identification purposes only, and we are in no way implying that our products are original equipment parts. Prices subject to change without notice.



Replaces Toro Greensmaster Flex 2120 Parts

*DPA Cutting Unit - Models 04290 & 04292
Reel & Bedknife*



Item No	R&R Part No.	OEM Part No.	Description	Qty Req	Order Quantity
39	R99-2097	99-2097	Detent - Bed Bar Adjuster	2	
40	R99-3794-01	99-3794-01, 99-3794-03	Bed Bar - Aggressive	1	
40	R106-2648-01	106-2648-01	Bed Bar	1	
41	R52-2890	52-2890	Bushing - Flanged	2	
42	R52-2900	52-2900	Washer - Nylon	4	
43	R99-3773	99-3773	Bolt- Plow 3/8-16 x 1 3/4	2	
44	R115-3299	115-3299	Seal- Flocked	2	
45	R119-9303	105-5799, 119-9303	Frame - Crossmember	1	
47	R104-2603	104-2603, 119-4158	Washer - HOC Bracket	2	
48	R115-7193	115-7193	Nut-HOC	2	
51	R115-6923	115-6923	Shield - Bearing - Flocked	1	
52	R115-6869	115-6869	Bearing - Ball -Stainless	2	
53	R119-4005	119-4005	Side Plate Assy-LH Incl R117-6619	1	
54	R119-4007	119-4007	Side Plate Assy-RH Incl R117-6619	1	
55	R115-7042	115-7042	Bolt-Shoulder, Flange	4	
56	R132-4586	132-4586	Screw - HOC - Stainless	2	
57	R121-4605	121-4506, 121-4605	Washer - Spring - Curved	2	

All original equipment manufacturers names and part numbers are used for identification purposes only, and we are in no way implying that our products are original equipment parts. Prices subject to change without notice.



Replaces Toro Greensmaster Flex 2120 Parts



*DPA Cutting Unit - Models 04290 & 04292
Reel & Bedknife*

Item No	R&R Part No.	OEM Part No.	Description	Qty Req	Order Quantity
58	R453011	01-166-0100, 01-166-0120, 01-166-0270, 01-166-0500, 01-166-0600, 01-166-0620, 132-4593, 2356-3, 237-12, 24-10-AD, 24-11-AD, 24-11-BD, 24-12-AD, 24-12-BD, 30-9310, 32-8190, 3256-24, 3256-3, 3256-36, 3256-4, 453011, 47-9950, 48-9220, 513458, 7-0052	Washer - Flat 3/8 SAE Y/Zinc	4	
59	R1891	1891	E-Ring	2	

All original equipment manufacturers names and part numbers are used for identification purposes only, and we are in no way implying that our products are original equipment parts. Prices subject to change without notice.