

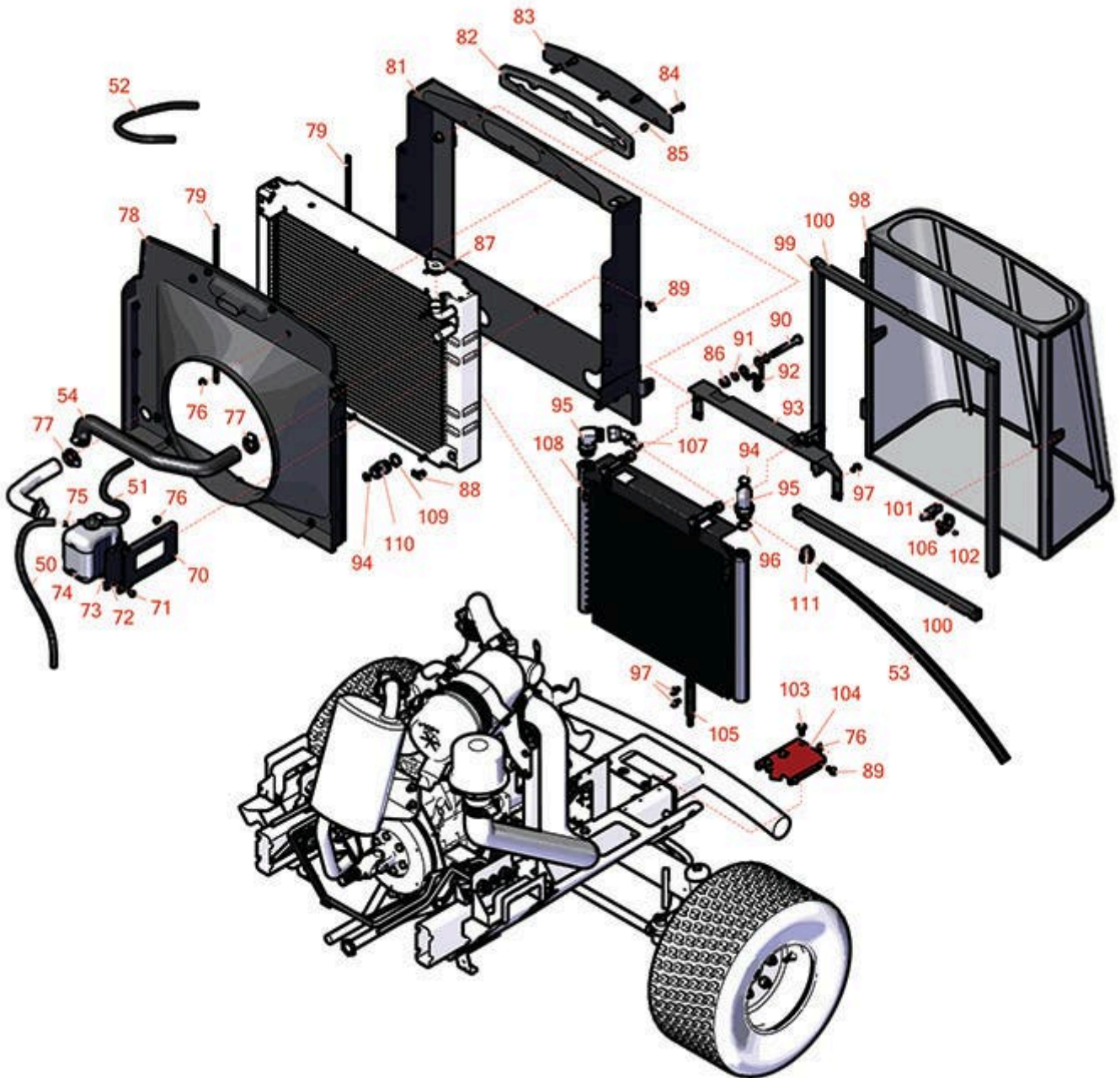


# Replaces Toro Groundsmaster 4300-D

## Parts

*Traction Unit*

*Radiator & Cooling System*



All original equipment manufacturers names and part numbers are used for identification purposes only, and we are in no way implying that our products are original equipment parts. Prices subject to change without notice.



# Replaces Toro Groundsmaster 4300-D

## Parts

*Traction Unit*

*Radiator & Cooling System*



Item No	R&R Part No.	OEM Part No.	Description	Qty Req	Order Quantity
<b>Hoses</b>					
50	<b>R110-3257</b>	110-3257, 63-7630	Hose-Fuel	1	
51	<b>R110-4104</b>	110-4104, 27-5340	Hose-Fuel	1	
52	<b>R110-8752</b>	110-8752	Hose-Fuel	2	
53	<b>R110-8955</b>	110-8955	Hose - Oil Cooler	1	
<b>Other Parts Available</b>					
70	<b>R108-1666-03</b>	108-1666-03	Bracket-Reservoir	1	
71	<b>R3234-13</b>	3234-13, 960151P	Bolt - Flanged Hex 1/4-20	1	
72	<b>R108-1665-03</b>	108-1665-03	Bracket-Reservior	1	
73	<b>R301504</b>	2296-42, 301504, 32127-24, 32128-33, 32146-17, 3296-16, 3296-42, 3296-42 , 915661P	Locknut - ESNA 1/4-20	1	
74	<b>RX1G64272400</b>	104-9318, 105-3753, 98-9323, 98-9397	Kubota Tank - Reserve Assy	1	
75	<b>R92-2379</b>	92-2379	Clamp - Hose	3	
76	<b>R104-8300</b>	104-8300, 104-8300 , 119-4041	Locknut - 5/16-18 Flanged Y/Zinc	18	

All original equipment manufacturers names and part numbers are used for identification purposes only, and we are in no way implying that our products are original equipment parts. Prices subject to change without notice.



# Replaces Toro Groundsmaster 4300-D

## Parts

*Traction Unit*

*Radiator & Cooling System*



Item No	R&R Part No.	OEM Part No.	Description	Qty Req	Order Quantity
77	<b>R2412-129</b>	2412-129, 94-3188, 94-3189, 94-3193, 94-3203, 94-3204	Clamp - Worm 9/16-1 1/4	4	
78	<b>R110-5311</b>	108-1791, 110-5311	Shroud - Radiator	1	
79	<b>R110-8953</b>	110-8953	Seal - Foam - 18 in	4	
81	<b>R110-5251-03</b>	110-5251-03	Frame-Radiator	1	
82	<b>R110-5324</b>	110-5324	Seal-Foam	1	
83	<b>R108-1843-03</b>	108-1843-03	Screen-Intake, Air	1	
84	<b>R3234-36</b>	3234-36	Bolt - 5/16-18 x 1 1/4 Hx HD Flange	5	
85	<b>R1-603903</b>	1-603903	Spacer	5	
86	<b>R32128-49</b>	32128-49	Nut - 1/2-13 Hex Flange	4	
87	<b>R93-5957</b>	120-1690, 93-5957	Cap - Radiator	1	
88	<b>R304-46</b>	304-46	Draincock	1	
89	<b>R3234-5</b>	3234-5, 62-3310	Bolt - 5/16-18x3/4 Hx Ser Was HD	6	
90	<b>R325-17</b>	01-150-0640, 01-150-0850, 01-178-0832, 01-178-0836, 20-97-AGD, 325-17, 325-18, 48-9260	Bolt - Hex Head	2	
91	<b>R455012</b>	3256-26, 41-8440	Washer - Flat 1/2 x 3/4	4	

All original equipment manufacturers names and part numbers are used for identification purposes only, and we are in no way implying that our products are original equipment parts. Prices subject to change without notice.



# Replaces Toro Groundsmaster 4300-D

## Parts

*Traction Unit*

*Radiator & Cooling System*



Item No	R&R Part No.	OEM Part No.	Description	Qty Req	Order Quantity
92	<b>R104-5429</b>	104-5429	Clamp - Form, Wire	2	
93	<b>R104-5428</b>	104-5428, 104-5428-03, 114-4193	Bracket-Oil Cooler	1	
94	<b>R237-58</b>	237-58	O-Ring	2	
95	<b>R340-142</b>	340-142, 95-1692	Hydraulic Fitting - 90 Deg	2	
96	<b>R237-146</b>	237-146, 340-146	O-Ring	2	
97	<b>R3234-14</b>	3234-14, 3234-23	Bolt - Hex Serrated Washer HD	8	
98	<b>R110-5269-03</b>	110-5269-03	Screen Assy	1	
99	<b>R110-5275</b>	110-5275	Seal-Foam-Radiator	2	
100	<b>R110-5276</b>	110-5276	Seal-Foam-Radiator	2	
101	<b>R115-1554</b>	105-3912, 115-1554	Latch-Draw	2	
102	<b>R3290-382</b>	3269-15, 3290-382	Rivet - 5/32 x 1/2 Pop Rivet	4	
103	<b>R32144-14</b>	32104-32, 32104-49, 32144-14	Bolt - Hex Washer 5/16-18 x 5/8	6	
104	<b>R110-5310-01</b>	110-5310-01	Bracket-Mounting	2	
105	<b>R104-5460-03</b>	104-5460-03	Plate-Mount, Oil Cooler	1	
106	<b>R150977</b>	115-1556	Pin - 5/16 Lynch	2	
107	<b>R104-7851</b>	104-7851	Hydraulic Fitting - 45 Deg	2	
108	<b>R150955</b>	110-0485	Cooler - Hydraulic Oil	1	

All original equipment manufacturers names and part numbers are used for identification purposes only, and we are in no way implying that our products are original equipment parts. Prices subject to change without notice.



# Replaces Toro Groundsmaster 4300-D

## Parts

Traction Unit

Radiator & Cooling System



Item No	R&R Part No.	OEM Part No.	Description	Qty Req	Order Quantity
109	<b>R237-81</b>	237-81, 237.81, 327-81	O-Ring	2	
110	<b>R340-9</b>	340-9	Fitting - Straight Connector	2	
111	<b>RG116</b>	2412-34, 31-0120, 94-3188, 94-3189, 94-3193, 94-3203, 94-3204	Clamp - Hose 3/4" x 1-1/2" - Box/10	4	

*Detail Description: Stainless steel hose clamps with 5/16" slotted hex head, heat treated carbon steel, plated with zinc plus trivalent chromate for long lasting protection. Good general-purpose clamp. Box of 10.:*

111	<b>R2412-34</b>	2412-34, 31-0120	Clamp - Hose .75-1.5	4	
-----	-----------------	---------------------	----------------------	---	--

*Detail Description: Stainless steel hose clamp with 5/16" slotted hex head, heat treated carbon steel, plated with zinc plus trivalent chromate for long lasting protection.:*

All original equipment manufacturers names and part numbers are used for identification purposes only, and we are in no way implying that our products are original equipment parts. Prices subject to change without notice.