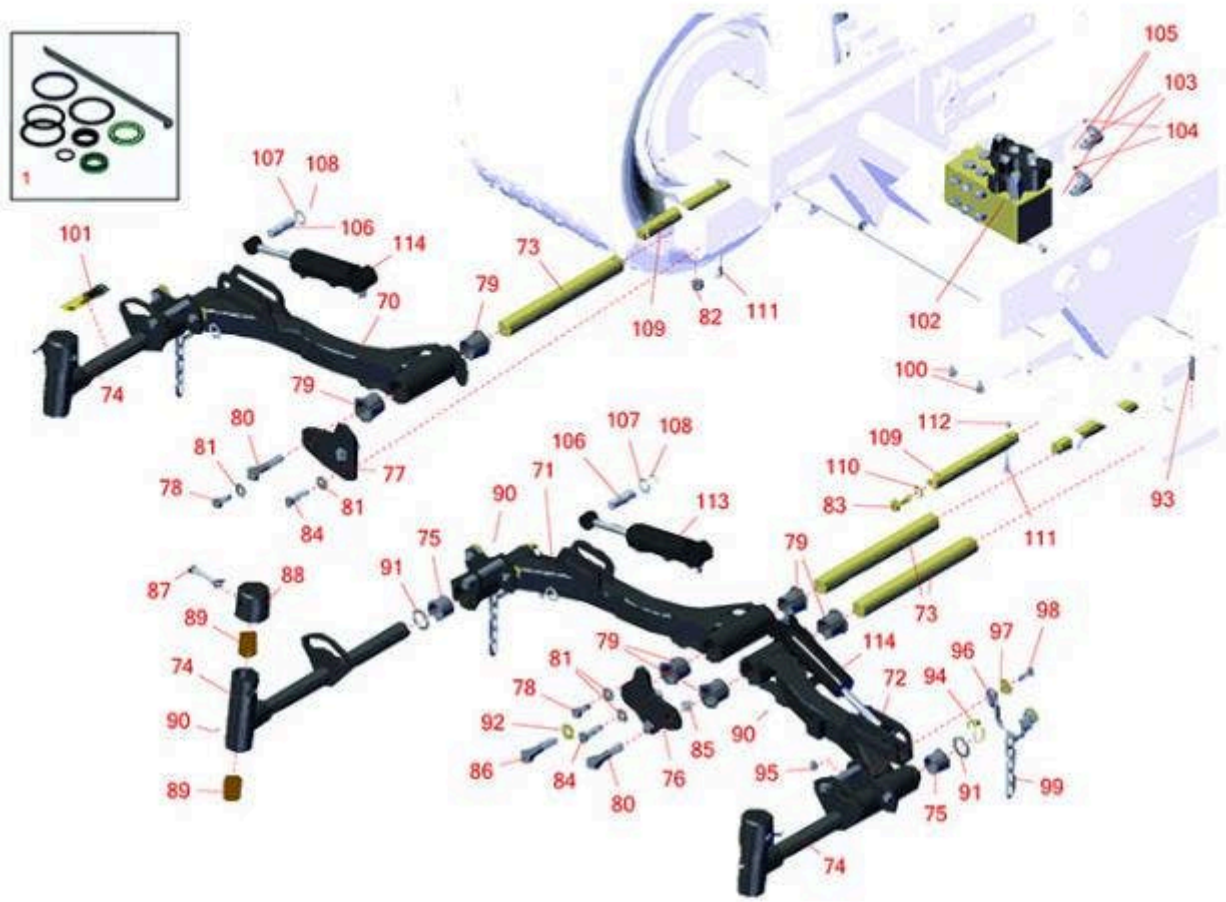




# Replaces Toro Reelmaster 5010-H Parts

Traction Unit  
Front Lift Arm



All original equipment manufacturers names and part numbers are used for identification purposes only, and we are in no way implying that our products are original equipment parts. Prices subject to change without notice.



# Replaces Toro Reelmaster 5010-H Parts

Traction Unit  
Front Lift Arm



Item No	R&R Part No.	OEM Part No.	Description	Qty Req	Order Quantity
<b>Overhaul Kit</b>					
1	<b>R133-2900</b>	133-2900	Seal Kit - Cylinder	2	
<b>Other Parts Available</b>					
70	<b>R110-0995</b>	110-0995	Lift Arm - No. 5	1	
71	<b>R110-0991</b>	110-0991	Lift Arm - No. 1	1	
72	<b>R114-8874</b>	114-8874	Lift Arm - No. 4	1	
73	<b>R117-0208</b>	117-0208	Shaft- Pivot - Lift Arm	1	
74	<b>R107-2052</b>	107-2052, 138-1248	Pivot Yoke Assy	3	
75	<b>R104-0015</b>	104-0015, 104-8339	Bushing - Flanged	4	
76	<b>R117-5154-01</b>	117-5154-01	Plate-Bridge 1 and 4	1	
77	<b>R117-5153-01</b>	117-5153-01	Plate-Bridge 5	1	
78	<b>R325-5</b>	01-150-0250, 01-178-0810, 19-8000, 20-86-AGD, 3226-1, 325-5, 513375	Bolt - Hex HD 1/2-13 x 1-1/4	2	
79	<b>R69-6470</b>	69-6470	Bushing - Flanged	6	
80	<b>R3234-27</b>	3234-27	Bolt - 1/2-13 x 2 Hex	3	
81	<b>R87-7270-01</b>	87-7270, 87-7270-01	Washer - Flat 1/2	2	

All original equipment manufacturers names and part numbers are used for identification purposes only, and we are in no way implying that our products are original equipment parts. Prices subject to change without notice.



# Replaces Toro Reelmaster 5010-H Parts

Traction Unit  
Front Lift Arm



Item No	R&R Part No.	OEM Part No.	Description	Qty Req	Order Quantity
82	<b>R301504</b>	2296-42, 301504, 32127-24, 32128-33, 32146-17, 3296-16, 3296-42, 3296-42 , 915661P	Locknut - ESNA 1/4-20	2	
83	<b>R3234-38</b>	3234-38	Bolt - Flanged Hex 1/2-13 x 1-1/4	1	
84	<b>R325-7</b>	01-150-0380, 01-178-0814, 3226-3, 325-7, 48-9490	Bolt - 1/2-13 x 1 3/4 Hex HD Gr 5	1	
85	<b>R32128-23</b>	32128-23, 3218-23, 99-5107	Nut - Lock Hex Flanged 1/2-13	4	
86	<b>R327-7</b>	01-150-0700, 01-150-0710, 01-178-1020, 20-125-AGD, 20-126-AGD, 327-7	Bolt - Hx HD	3	
87	<b>R107-7400</b>	107-7400	Pin - Lynch	3	
88	<b>R107-4027</b>	107-4027	Cap - Pivot Yoke	3	
89	<b>R121-3187</b>	121-3187	Bushing	6	
89	<b>R256-254</b>	256-254	Bushing 1-1/8 x 1.375 x 1.5	6	

All original equipment manufacturers names and part numbers are used for identification purposes only, and we are in no way implying that our products are original equipment parts. Prices subject to change without notice.



# Replaces Toro Reelmaster 5010-H Parts

*Traction Unit  
Front Lift Arm*



Item No	R&R Part No.	OEM Part No.	Description	Qty Req	Order Quantity
90	<b>R302-5</b>	21-6010, 302-11, 302-37, 302-47, 302-5, 302-57, 302-58, 302-6, 31-0300, 32-9660, 60-0800, 62-3880, 92-4181	Fitting - Grease	5	
91	<b>R76-2980</b>	76-2980	Washer - Thrust	6	
92	<b>R453020</b>		Washer - 5/8 SAE Flat Z	3	
93	<b>R32121-122</b>	01-153-0140, 32121-122	Pin - Roll 1/2 x 2	3	
94	<b>R92-1298</b>	92-1298	Pin - Klik	3	
95	<b>R104-8301</b>	104-8301, 104-9301, 109-6658, 133-7570	Locknut - 3/8-16 Nylon Flanged	6	
96	<b>R110-0922</b>	110-0922	Hoop - Chain	3	
97	<b>R63-8410</b>	53-6380, 63-4810, 63-8410	Washer - Isolator Bushing	6	
98	<b>R400264</b>	01-150-0180, 01-178-0610, 20-48-AD, 20-48-AGD, 32-9160, 3224-3, 323-29, 323-7, 400264, 908035P	Bolt - Hex HD 3/8-16 x 1-1/4	6	
99	<b>R84-2451</b>	84-2451	Chain - Straight 5	3	

All original equipment manufacturers names and part numbers are used for identification purposes only, and we are in no way implying that our products are original equipment parts. Prices subject to change without notice.



# Replaces Toro Reelmaster 5010-H Parts

*Traction Unit  
Front Lift Arm*



Item No	R&R Part No.	OEM Part No.	Description	Qty Req	Order Quantity
100	<b>R3234-14</b>	3234-14, 3234-23	Bolt - Hex Serrated Washer HD	4	
101	<b>R110-9642</b>	110-9642	Decal	1	
102	<b>R105-7577</b>	105-7577	Manifold Assy - Lift Blocks	1	
103	<b>R340-18</b>	340-18	Hydraulic Fitting	2	
104	<b>R237-22</b>	107-8844, 237-22, 237-78	O-Ring	4	
105	<b>R237-79</b>	237-79	O-Ring	4	
106	<b>R104-0046</b>	104-0046	Pin - Slide - Cylinder	3	
107	<b>R3-6498</b>	3--6498, 3-6498, 47-8270	Washer - Thrust	6	
108	<b>R32120-93</b>	32120-93	Snap Ring - HD	6	
109	<b>R117-0148</b>	117-0148	Pin - Hyd Cyl	3	
110	<b>R453017</b>	01-166-0050, 01-166-0240, 01-166-0800, 24-13-AD, 24-14-AD, 32-8110, 3256-26, 3256-6, 453017, 69-8980, 87-7270	Washer - Flat 1/2	3	

All original equipment manufacturers names and part numbers are used for identification purposes only, and we are in no way implying that our products are original equipment parts. Prices subject to change without notice.



# Replaces Toro Reelmaster 5010-H Parts

*Traction Unit  
Front Lift Arm*



Item No	R&R Part No.	OEM Part No.	Description	Qty Req	Order Quantity
111	<b>R323-9</b>	01-150-0190, 01-150-1540, 01-178-0614, 107229, 20-50-AD, 20-50-AGD, 30-9430, 32105-4, 3224-5, 323-9, 513363, 513364, 5377, 908037P	Bolt - Hex HD 3/8-16 x 1-3/4	3	
112	<b>R3296-59</b>	3296-59	Locknut - 3/8-16 Nylon Jam	3	
113	<b>R119-6988</b>	119-6988	Hydraulic Cylinder	1	
114	<b>R119-6987</b>	119-6987	Hyd Cylinder Assy	2	

All original equipment manufacturers names and part numbers are used for identification purposes only, and we are in no way implying that our products are original equipment parts. Prices subject to change without notice.