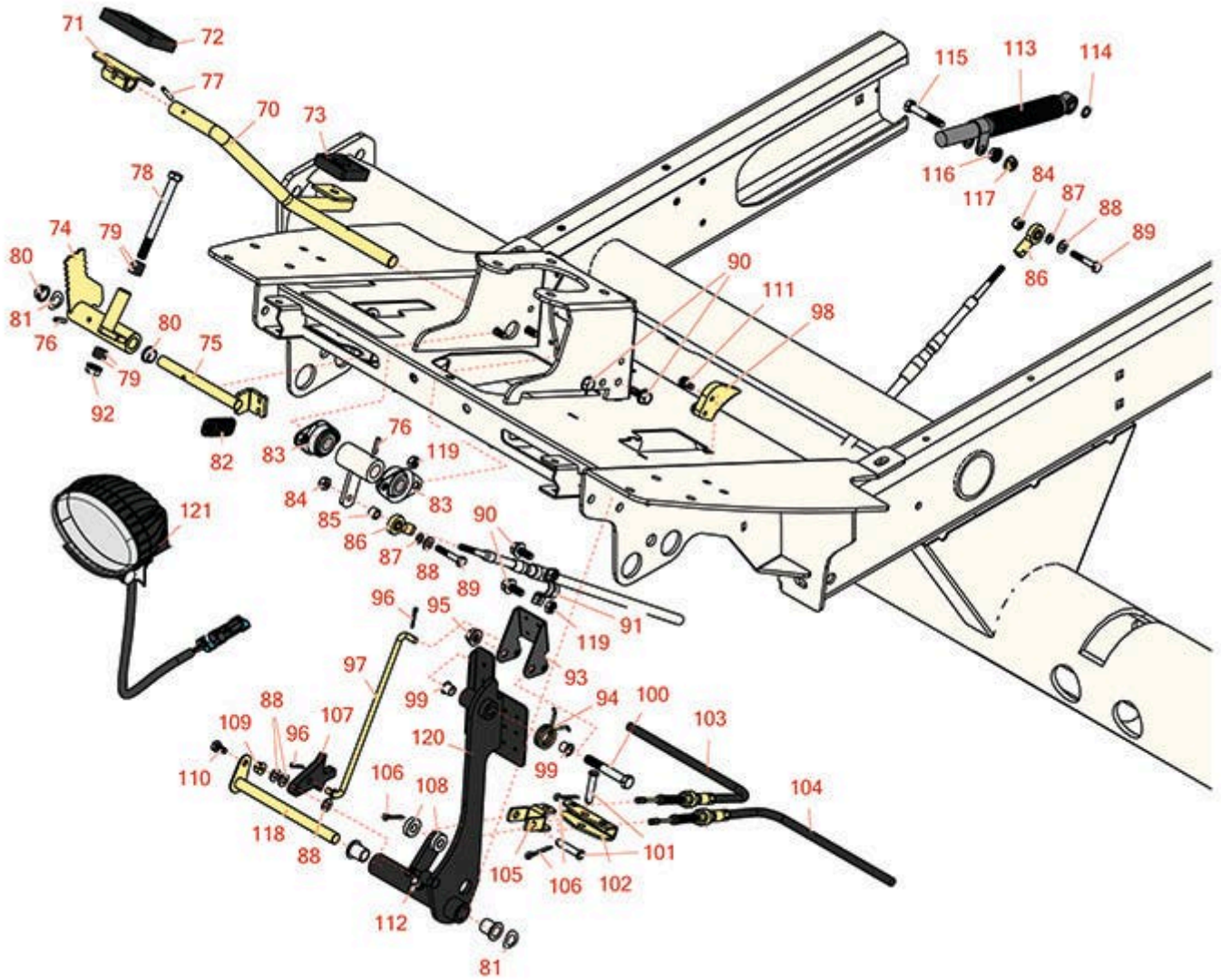




Replaces Toro Reelmaster 5010-H Parts

Traction Unit

Traction & Brake Pedal



All original equipment manufacturers names and part numbers are used for identification purposes only, and we are in no way implying that our products are original equipment parts. Prices subject to change without notice.



Replaces Toro Reelmaster 5010-H Parts

Traction Unit

Traction & Brake Pedal



| Item No | R&R Part No. | OEM Part No. | Description | Qty Req | Order Quantity |
|------------------------------|--------------------|-------------------------------------|------------------------------|---------|----------------|
| Other Parts Available | | | | | |
| 70 | R106-3840 | 106-3840 | Pedal-Traction | 1 | |
| 71 | R49-6440-03 | 117-9507, 49-6440, 49-6440-03 | Pedal - Forward Assy | 1 | |
| 72 | R74-9100 | 74-9100 | Rubber Foot Pad - Forward | 1 | |
| 73 | R74-9110 | 74-9110 | Rubber Foot Pad - Reverse | 1 | |
| 74 | R117-8066 | 117-8066 | Mow-Stop | 1 | |
| 75 | R106-3731 | 106-3731 | Rod-Pivot | 1 | |
| 76 | R32121-6 | 32121-6 | Pin - Roll 3/16 x 1-1/4 | 2 | |
| 77 | R32121-45 | 32121-113, 32121-45, 32121-92 | Pin - Spring Roll 5/32 x 1 | 1 | |
| 78 | R323-17 | 323-17 | Bolt - Hex HD 3/8-16 x 4 | 1 | |
| 79 | R62-4420 | 62-4420 | Washer | 8 | |
| 80 | R256-156 | 256-156, 256-219 | Bushing - Flanged | 2 | |
| 81 | R110-8982 | 110-8982 | Washer - Spring | 2 | |
| 82 | R92-7305 | 92-7305 | Spring-Extension | 1 | |
| 83 | R256-236 | 256-236, Oct-40 | Bearing - 5/8 Flanged 2 Bolt | 2 | |

All original equipment manufacturers names and part numbers are used for identification purposes only, and we are in no way implying that our products are original equipment parts. Prices subject to change without notice.



Replaces Toro Reelmaster 5010-H Parts

Traction Unit

Traction & Brake Pedal



| Item No | R&R Part No. | OEM Part No. | Description | Qty Req | Order Quantity |
|---------|-----------------|--|----------------------------------|---------|----------------|
| 84 | R301504 | 2296-42, 301504, 32127-24, 32128-33, 32146-17, 3296-16, 3296-42, 3296-42 , 915661P | Locknut - ESNA 1/4-20 | 2 | |
| 85 | R66-8010 | 66-8010 | Spacer | 1 | |
| 86 | R2411-41 | 2411-41 | Rod End - Ball Joint | 2 | |
| 87 | R24M7139 | 24M7139, 3256-16, 33093-00, 43-5930 | Washer - Flat 6mm | 2 | |
| 88 | R3256-22 | 24-9-BD, 3-1032, 3256-1, 3256-22, 93-0954, 93-0989 | Washer - Flat 1/4 Yellow | 4 | |
| 89 | R400116 | 20-7-AD, 30-9680, 321-69, 321-9, 3222-3, 400116 | Bolt - Hex HD 1/4-20 x 1-1/2 | 2 | |
| 90 | R3234-5 | 3234-5, 62-3310 | Bolt - 5/16-18x3/4 Hx Ser Was HD | 4 | |
| 91 | R93-2092 | 93-2092 | Clamp - Cable | 1 | |
| 92 | R3296-39 | 32127-25, 32128-36, 3290-357, 3296-17, 3296-22, 3296-39, 915663P, 99-7443 | Locknut - 3/8-16 Nylon | 1 | |

All original equipment manufacturers names and part numbers are used for identification purposes only, and we are in no way implying that our products are original equipment parts. Prices subject to change without notice.



Replaces Toro Reelmaster 5010-H Parts

Traction Unit

Traction & Brake Pedal



| Item No | R&R Part No. | OEM Part No. | Description | Qty Req | Order Quantity |
|---------|--------------------|--|----------------------------------|---------|----------------|
| 93 | R99-7963-03 | 99-7963-03 | Pedal - Park | 1 | |
| 94 | R99-7140 | 99-7140 | Spring-Torsion | 1 | |
| 95 | R104-8301 | 104-8301, 104-9301, 109-6658, 133-7570 | Locknut - 3/8-16 Nylon Flanged | 1 | |
| 96 | R1023-4 | 01-151-0150, 1023-4, 19-6220, 214-14, 215-54, 28-9-D, 3272-4, 3272-6, 513567, 932008P | Pin - Cotter 3/32 x 3/4 | 1 | |
| 97 | R115-0129 | 115-0129 | Rod-Pawl - Brake | 1 | |
| 98 | R99-7214 | 99-7214 | Pawl - Brake | 1 | |
| 99 | R52-2891 | 52-2891 | Bushing- Nylon | 1 | |
| 100 | R101526 | 01-150-0970, 01-178-0620, 101526, 20-53-AGD, 321-11, 3224-8, 323-11, 323-12, 323-31, 323-4, 323-47 | Bolt - Hex HD 3/8-16 x 2-1/2 GR5 | 1 | |
| 101 | R283-14 | 283-14 | Pin - Clevis | 2 | |
| 102 | R115-8059 | 115-8059 | Yoke - Cable | 1 | |
| 103 | R117-0106 | 117-0106 | Cable - Brake - RH | 1 | |

Tech Note: Fits 2010 & Up:

All original equipment manufacturers names and part numbers are used for identification purposes only, and we are in no way implying that our products are original equipment parts. Prices subject to change without notice.



Replaces Toro Reelmaster 5010-H Parts

Traction Unit

Traction & Brake Pedal



| Item No | R&R Part No. | OEM Part No. | Description | Qty Req | Order Quantity |
|---------------------------------------|------------------|--|-------------------------------|---------|----------------|
| 104 | R117-0107 | 117-0107 | Cable - Brake - LH | 1 | |
| <i>Tech Note: Fits 2010 & Up:</i> | | | | | |
| 105 | R115-8060 | 115-8060 | Clevis - Double | 1 | |
| 106 | R3272-10 | 01-151-0120, 105-7512, 3272-10, N/A | Pin - Cotter 1/8 x 3/4 | 2 | |
| 107 | R117-0238 | 117-0238 | Detent | 1 | |
| 108 | R5-0652 | 5-0652 | Spacer | 2 | |
| 109 | R104-7201 | 104-7201 | Locknut - 1/4-20 ESNA Flanged | 1 | |
| 110 | R300403 | 32144-4, 32144-63, 49-2040 | Bolt - Hex HD 1/4-20 x 1/2 | 1 | |
| 111 | R3234-13 | 3234-13, 960151P | Bolt - Flanged Hex 1/4-20 | 2 | |
| 112 | R302-60 | 302-60 | Zerk - Grease 90 Deg. | 1 | |
| 113 | R76-8870 | 105-7280, 76-8870 | Lever Damper Assy | 1 | |
| 114 | R32151-72 | 32151-72 | Ring-Retaining | 1 | |
| 115 | R322-10 | 20-30-AD, 24-7180, 322-10, 322-10, 3223-6, 513347 | Bolt - Hex HD 5/16-18 x 2 | 1 | |
| 116 | R445722 | 30-8980, 32128-2, 32128-20, 32128-20, 445722 | Nut - Serrated Washer | 1 | |

All original equipment manufacturers names and part numbers are used for identification purposes only, and we are in no way implying that our products are original equipment parts. Prices subject to change without notice.



Replaces Toro Reelmaster 5010-H Parts

Traction Unit

Traction & Brake Pedal



| Item No | R&R Part No. | OEM Part No. | Description | Qty Req | Order Quantity |
|---------|---------------------|---|----------------------------------|---------|----------------|
| 117 | R104-8300 | 104-8300, 104-8300 , 119-4041 | Locknut - 5/16-18 Flanged Y/Zinc | 1 | |
| 118 | R104-7179 | 104-7179, 99-7169 | Pivot-Pedal | 1 | |
| 119 | R3296-29 | 1-804256, 3290-357, 3296-29, 915662P | Locknut - 5/16-18 ESNA | 6 | |
| 120 | R115-0120-03 | 115-0120-03 | Pedal - Brake | 1 | |
| 121 | R151712 | 108-6471, 112-9177, 94-9024 | LED Oval Work Light - 12 LED 30w | 2 | |

All original equipment manufacturers names and part numbers are used for identification purposes only, and we are in no way implying that our products are original equipment parts. Prices subject to change without notice.