

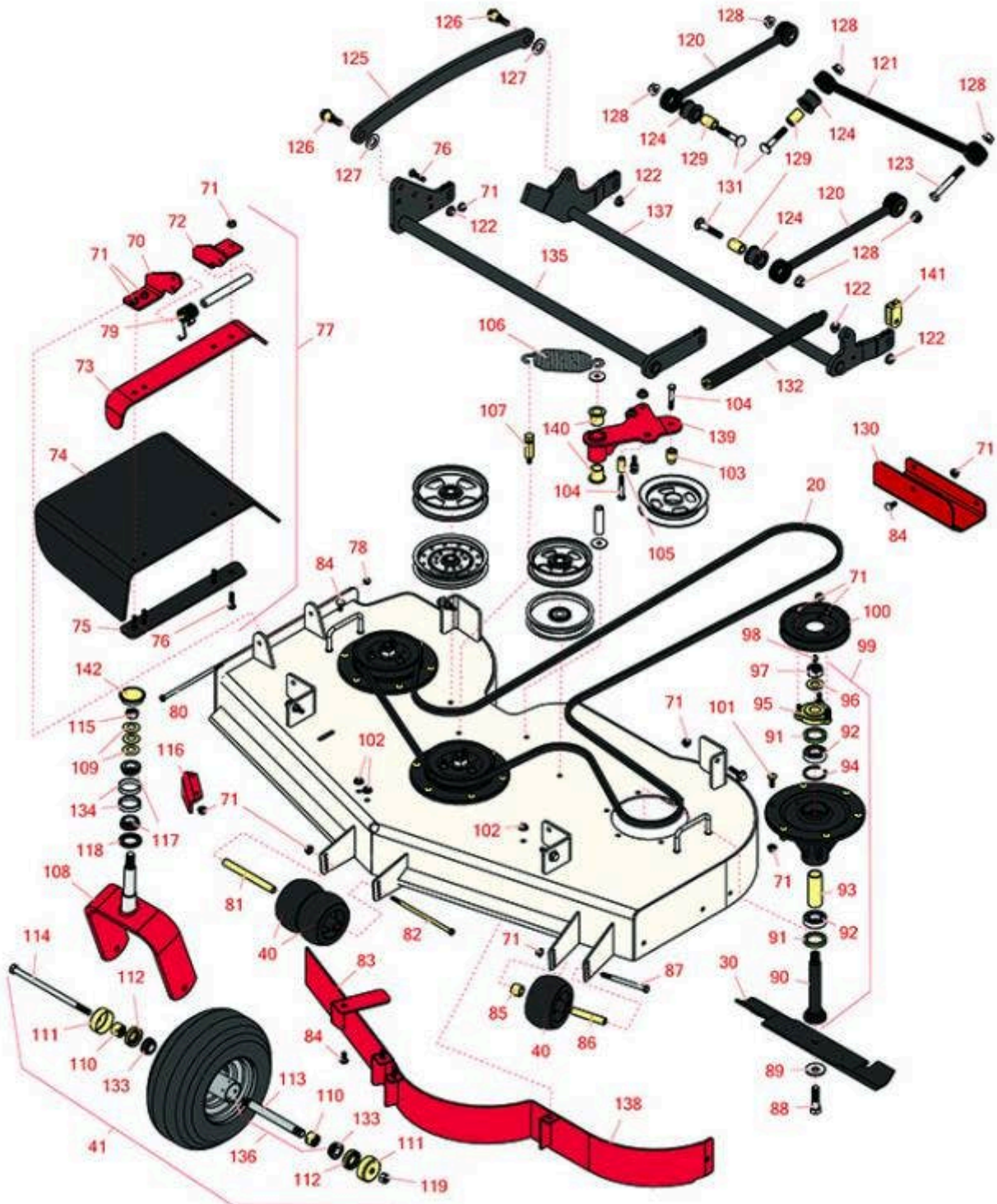


Replaces Toro Z Master Commerical

3000 Parts

Zero Turn Mower with 52in Deck - Model 74994

52in Deck Parts

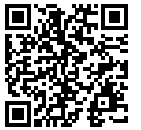


All original equipment manufacturers names and part numbers are used for identification purposes only, and we are in no way implying that our products are original equipment parts. Prices subject to change without notice.



Replaces Toro Z Master Commercial 3000 Parts

Zero Turn Mower with 52in Deck - Model 74994
52in Deck Parts



| Item No | R&R Part No. | OEM Part No. | Description | Qty Req | Order Quantity |
|------------------------------|---------------------|---|--|---------|----------------|
| Belts | | | | | |
| 20 | R115-7426 | 115-7426 | Belt- V | 1 | |
| Blades | | | | | |
| 30 | R105-7781-03 | 105-7781-03 | Mower Blade - 18 in High-Flow | 3 | |
| 30 | R108-1117 | 108-1117 | Mower Blade Kit - 18 in High-Flow Set/6 | 1 | |
| 30 | R105-7779-03 | 105-7779-03 | Mower Blade - 18 in Recycler | 3 | |
| 30 | R110-0408 | 110-0408 | Mower Blade Kit - 18 in Recycler Set/6 | 1 | |
| Tires | | | | | |
| 40 | R68-2730 | 1-603299, 68-2730 | Wheel - Anti Scalp | 3 | |
| 41 | R127-9540 | 127-9540 | Tire & Wheel - 13x6.50-6 Pneumatic | 2 | |
| 41 | RCT5121861 | 1-523009, 126-5959 | Tire - 13x6.50-6 Nhs (4 Ply) Carlisle Smooth | 2 | |
| Other Parts Available | | | | | |
| 70 | R106-3253-01 | 106-3253-01 | Plate-Hinge, Front | 1 | |
| 71 | R104-8301 | 104-8301, 104-9301, 109-6658, 133-7570 | Locknut - 3/8-16 Nylon Flanged | 48 | |
| 72 | R108-4059-01 | 108-4059-01 | Plate-Hinge, Rear | 1 | |
| 73 | R106-3246-01 | 106-3246-01 | Deflector | 2 | |
| 74 | R151416 | 108-5029, 110-0759, 151416 | Deflector - Long | 1 | |
| 75 | R106-3248-03 | 106-3248-03 | Strap - Discharge | 1 | |

All original equipment manufacturers names and part numbers are used for identification purposes only, and we are in no way implying that our products are original equipment parts. Prices subject to change without notice.



Replaces Toro Z Master Commercial 3000 Parts

Zero Turn Mower with 52in Deck - Model 74994
52in Deck Parts



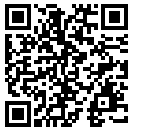
| Item No | R&R Part No. | OEM Part No. | Description | Qty Req | Order Quantity |
|---------|---------------------|--|--------------------------------|---------|----------------|
| 76 | R3231-4 | 01-157-0440, 01-173-0612, 3231-4 | Bolt - Carriage 3/8-16 x 1-1/2 | 4 | |
| 77 | R108-2792 | 108-2792 | Rubber Deflector Assy | 1 | |
| 78 | R3296-47 | 3296-47 | Locknut - 5/16-18 Jam Nyloc | 1 | |
| 79 | R108-4052 | 108-4052 | Spring - Torsion | 1 | |
| 80 | R322-50 | 322-50 | Bolt - Hx HD 5/16-18 x 7 1/2 | 1 | |
| 81 | R98-5967 | 98-5967 | Spacer-Wheel | 1 | |
| 82 | R108-5388 | 108-5388 | Bolt - Hx HD 3/8-16 x 7 1/2 | 1 | |
| 83 | R115-7455-01 | 115-7455-01 | Baffle Assy | 1 | |
| 84 | R3231-27 | 3231-27 | Bolt - Carriage 3/8-16 x 7/8 | 8 | |
| 85 | R98-7913 | 98-7913 | Spacer - Tube | 1 | |
| 86 | R98-7912 | 98-7912 | Bushing - Spanner Wheel | 1 | |
| 87 | R323-23 | 01-150-0810, 01-178-0636, 20-60-AGD, 323-23 | Bolt - Hex HD 3/8-16 x 4-1/2 | 1 | |
| 88 | R51-4060 | 51-4060 | Bolt - Blade | 3 | |
| 89 | R103-0865 | 103-0865 | Washer - Blade Bolt HD | 3 | |
| 90 | R119-8527 | 119-1851, 119-8527 | Spindle Shaft and Zerk Assy | 3 | |
| 91 | R253-133 | 253-133 | Seal - Oil | 6 | |
| 92 | R119-8558 | 119-8558, 76-7500 | Bearing - Ball - Special | 6 | |
| 93 | R117-6184 | 117-6184 | Spacer | 3 | |

All original equipment manufacturers names and part numbers are used for identification purposes only, and we are in no way implying that our products are original equipment parts. Prices subject to change without notice.



Replaces Toro Z Master Commercial 3000 Parts

Zero Turn Mower with 52in Deck - Model 74994
52in Deck Parts



| Item No | R&R Part No. | OEM Part No. | Description | Qty Req | Order Quantity |
|---------|------------------|--|--------------------------------------|---------|----------------|
| 94 | R119-8532 | 114-8161, 119-8532 | Snap Ring | 3 | |
| 95 | R117-6172 | 117-6172 | Spindle Hub Assy w/Studs | 3 | |
| 96 | R92-5836 | 92-5836 | Flat Washer - Hardened | 3 | |
| 97 | R3296-67 | 3296-67 | Locknut - 3/4-16 Heavy Jam RH Thread | 3 | |
| 98 | R471219 | 30-8360, 302-2, 302-24, 302-31, 302-52, 471219 | Zerk - Grease | 3 | |
| 99 | R119-8560 | 117-6157, 119-8560 | Spindle Assy | 3 | |
| 100 | R115-7450 | 115-7450 | Pulley - 6.75 in Dia with 1.75 Bore | 3 | |
| 101 | R114-8195 | 114-8195, R & R ONLY | Bolt- Ribbed Neck | 18 | |
| 102 | R32128-43 | 30-8990, 32128-43, 3290-357 | Nut - Flanged Whiz - 3/8-16 | 18 | |
| 103 | R112-4212 | 112-4212 | Mount-Pulley | 1 | |
| 104 | R323-11 | 01-150-1440, 01-178-0618, 20-52-AD, 3224-7, 323-11 | Bolt - 3/8-16 x 2 1/4 GR5 | 2 | |
| 105 | R104-0151 | 104-0151 | Spacer | 1 | |
| 106 | R116-6317 | 116-0133, 116-6317 | Spring - Extension | 1 | |
| 107 | R114-5867 | 114-5867 | Anchor - Spring - Tall | 1 | |

All original equipment manufacturers names and part numbers are used for identification purposes only, and we are in no way implying that our products are original equipment parts. Prices subject to change without notice.



Replaces Toro Z Master Commercial 3000 Parts

Zero Turn Mower with 52in Deck - Model 74994
52in Deck Parts



| Item No | R&R Part No. | OEM Part No. | Description | Qty Req | Order Quantity |
|---------|---------------------|---|-------------------------------|---------|----------------|
| 108 | R116-8888 | 103-1474-01, 116-6707-01, 116-8888 | Fork - Caster 7.875 in Inside | 2 | |
| 109 | R1-633508 | 1-633508 | Washer - Spring Disc | 6 | |
| 110 | R103-3051 | 103-3051 | Spacer - Nut - Hardened | 4 | |
| 111 | R103-2768 | 103-2768 | Guard - Seal | 4 | |
| 112 | R103-0063 | 103-0063 | Seal - Grease | 4 | |
| 113 | R103-5156 | 103-5156 | Axle- Caster | 2 | |
| 114 | R325-39 | 325-39 | Bolt - Hx HD 1/2-13 x 9 1/2 | 2 | |
| 115 | R3296-51 | 3296-51, 3296-81 | Nut - Nylon Lock 3/4-10 Gr 8 | 2 | |
| 116 | R107-8541-01 | 107-8541-01 | Baffle - Discharge | 1 | |
| 117 | R254-94 | 1-543509, 254-94, 32-8090, 32-8240, 32-9640, 40440, 62-3330 | Tapered Bearing Cone | 4 | |
| 118 | R116-5647 | 116-5647 | Seal - Grease | 2 | |
| 119 | RF5003 | 32127-29, 32131-5, 32132-5, 3296-23 | Locknut - ESNA 1/2-13 | 2 | |
| 120 | R109-7952 | 109-7952 | Deck Strut Assy | 2 | |
| 121 | R109-5013 | 109-5013 | Panhard Rod Assy | 1 | |
| 122 | R32128-37 | 32128-37 | Nut - 7-16-14 Hx Serr Fl | 4 | |

All original equipment manufacturers names and part numbers are used for identification purposes only, and we are in no way implying that our products are original equipment parts. Prices subject to change without notice.



Replaces Toro Z Master Commercial 3000 Parts

Zero Turn Mower with 52in Deck - Model 74994
52in Deck Parts



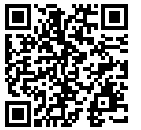
| Item No | R&R Part No. | OEM Part No. | Description | Qty Req | Order Quantity |
|---------|---------------------|---|--|---------|----------------|
| 123 | R325-17 | 01-150-0640, 01-150-0850, 01-178-0832, 01-178-0836, 20-97-AGD, 325-17, 325-18, 48-9260 | Bolt - Hex Head | 1 | |
| 124 | R109-5009 | 109-5009 | Bushing - Suspension - Rubber | 6 | |
| 125 | R116-0797-03 | 116-0797-03 | Link-Lift - Deck | 1 | |
| 126 | R116-0780 | 116-0780 | Bolt - Hx HD Fl Shoulder | 2 | |
| 127 | R453022 | 01-166-0480, 01-166-1220, 21-3880, 217-21, 30-8550, 30-9110, 3256-28, 3256-44, 46-9030, Mar-71 | Washer - 3/4 SAE | 2 | |
| 128 | R32128-23 | 32128-23, 3218-23, 99-5107 | Nut - Lock Hex Flanged 1/2-13 | 8 | |
| 129 | R109-5010 | 109-5010 | Spacer | 6 | |
| 130 | R121-7975-01 | 121-7975-01 | Plate - Skid | 1 | |
| 131 | R3233-34 | 3233-34 | Carriage Bolt - 1/2-13 x 2 1/2 Grade 5 | 3 | |
| 132 | R116-0886 | 116-0886 | Spring - Extension | 1 | |
| 133 | R254-78 | 01-102-0060, 01-102-0130, 1-633585, 254-78, 32-7790, 32-9580, 93-4813 | Tapered Bearing Cone | 4 | |

All original equipment manufacturers names and part numbers are used for identification purposes only, and we are in no way implying that our products are original equipment parts. Prices subject to change without notice.



Replaces Toro Z Master Commerical 3000 Parts

Zero Turn Mower with 52in Deck - Model 74994
52in Deck Parts



| Item No | R&R Part No. | OEM Part No. | Description | Qty Req | Order Quantity |
|---------|---------------------|--|------------------------------|---------|----------------|
| 134 | R254-72 | 01-103-0050, 01-103-0120, 01-103-0140, 1-543508, 254-71, 254-72, 40439, 62-3340, 99-4511 | Cup - Bearing | 4 | |
| 135 | R126-2475-03 | 116-2217-03, 126-2475-03 | Decklift - Front | 1 | |
| 136 | R126-5360 | 126-5360 | Axle- Caster w/Spacer Nut | 2 | |
| 137 | R116-0459-03 | 116-0459-03 | Lift - Rear Deck | 1 | |
| 138 | R115-7461-01 | 115-7461-01 | Baffle Assy | 1 | |
| 139 | R114-5870 | 114-5870 | Idler Arm Assy with Bushings | 1 | |
| 140 | R1-303514 | 1-303514 | Bearing - Flanged | 2 | |
| 141 | R109-9066 | 109-9066 | Yoke - Adjust - Deck | 4 | |
| 142 | R103-4882 | 103-4882 | Grease Cap - Castor | 2 | |

All original equipment manufacturers names and part numbers are used for identification purposes only, and we are in no way implying that our products are original equipment parts. Prices subject to change without notice.