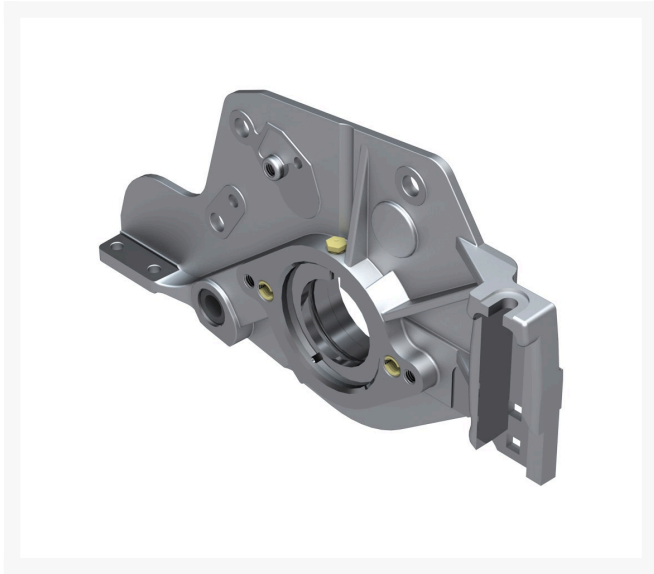




Side Plate Assy - 7 in RH Aluminum

R137-5967



Replaces

R&R Products	R127-4298
Toro	137-5967

Specifications

Manufacturer	R&R Products
--------------	--------------

Fits Models

- Toro Reelmaster 3575-D
- Toro Reelmaster 5010-H
- Toro Reelmaster 5510-D
- Toro Reelmaster 5510-G
- Toro Reelmaster 5610-D
- Toro Reelmaster 7000-D