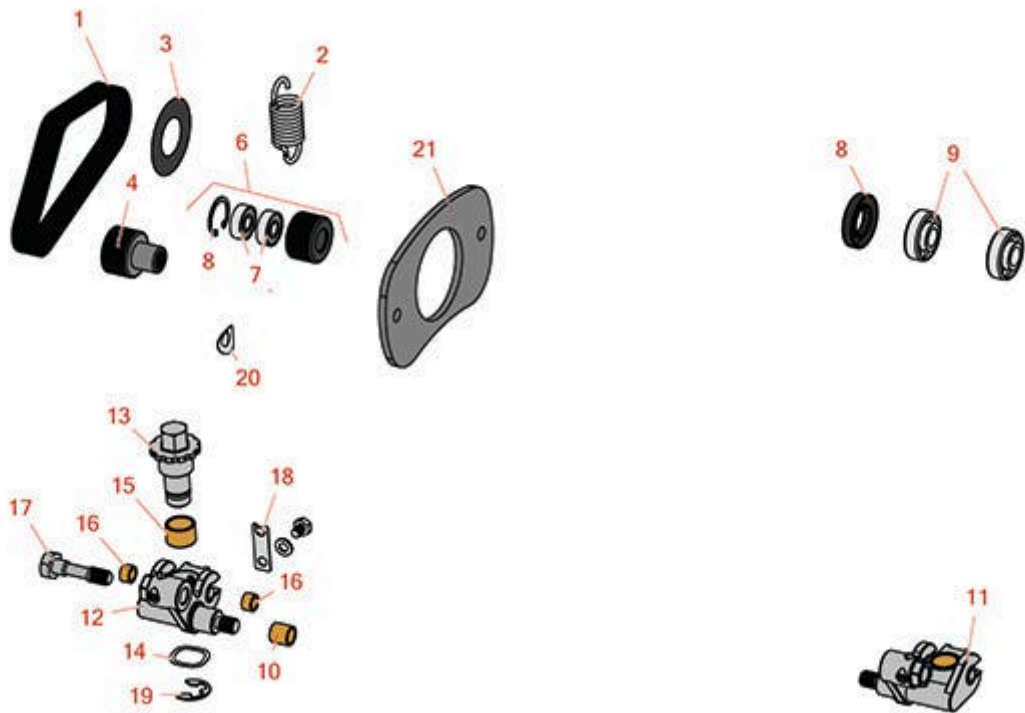




Replaces Toro Greensmaster Flex 2120 Parts



DPA Cutting Unit - Models 04290 & 04292
Groomer Drive - Forward-Rotating Model 04259



All original equipment manufacturers names and part numbers are used for identification purposes only, and we are in no way implying that our products are original equipment parts. Prices subject to change without notice.



Replaces Toro Greensmaster Flex 2120 Parts



DPA Cutting Unit - Models 04290 & 04292
Groomer Drive - Forward-Rotating Model 04259

Item No	R&R Part No.	OEM Part No.	Description	Qty Req	Order Quantity
Belts					
1	R104-4705	104-4705, 120-2763	Belt - Groomer	1	
Other Parts Available					
2	R110-1700	110-1700, 66-4460	Spring-Extension	1	
3	R106-8521	106-8521	Decal-Warning	1	
4	R115-5219	115-5219	Pulley-Driven, Splined	1	
6	R106-2630	106-2630	Idler Bearing Assy	1	
7	R251-259	251-259, 251-307	Bearing - Ball	2	
8	R106-8530	106-8530	Seal - Oil	1	
9	R107-8105	106-8520, 107-8105	Bearing-Ball - Extended	1	
10	R256-2	256-2	Bushing - Idler Pulley	2	
11	R106-8536	106-8536	LH Lift Arm Assy	1	
12	R106-8535	106-8535	RH Lift Arm Assy	1	
13	R106-8482	106-8482	Adjuster-Groomer	2	
14	R107-8107	106-8490, 107-8107	Washer - Wave	2	
15	R256-42	256-42	Bushing	2	
16	R106-8489	106-8489	Bushing-Sleeve	2	
17	R106-8528	106-8528	Screw - Lock	2	
18	R104-4754	104-4754	Spring-Detent	2	

All original equipment manufacturers names and part numbers are used for identification purposes only, and we are in no way implying that our products are original equipment parts. Prices subject to change without notice.



Replaces Toro Greensmaster Flex 2120 Parts



DPA Cutting Unit - Models 04290 & 04292

Groomer Drive - Forward-Rotating Model 04259

Item No	R&R Part No.	OEM Part No.	Description	Qty Req	Order Quantity
19	R32120-19	32120-19, 32120-81	E-Ring	2	
20	R121-4605	121-4506, 121-4605	Washer - Spring - Curved	2	
21	R106-8463	106-8463	Shim-Groomer	1	

All original equipment manufacturers names and part numbers are used for identification purposes only, and we are in no way implying that our products are original equipment parts. Prices subject to change without notice.